

Home Storage & Organization

Kitchen | Bath | Closet



KNAP & VOGT®

Contents



Waste & Recycling 2

KV offers an extensive lineup, including several options for soft close, that maximizes cabinet space and helps keep kitchens and bathrooms clean. Concealed hardware, multiple sizes and finishes plus optional bins and lids round out this complete product offering.



Lazy Susans 18

Exceptional quality and durability define KV's wide selection of Lazy Susans. Designed to maximize corner cabinet functionality with ease of use in mind, they're available in a range of configurations and shelf type to complement any kitchen.



Drawer Inserts & Sink Front Trays 34

These easy-to-install units in a variety of styles and finishes maximize organization and minimize the mess in the busiest rooms. Drawer inserts organize tableware, cutlery, spices and more while sink front trays keep sinks and counters clutter free.



Pull-Out Systems 48

KV's wide range of organizers, roll-outs, wire baskets and more is designed to maximize storage in the kitchen and bath. The collection of innovative under-cabinet storage solutions offers high quality functionality and performance to provide easy access to everyday items.



Specialty Storage 64

Our Wine Rack, Stemware Holder, Spice Rack, Towel Bar, Tray Dividers and more put a finishing touch on the perfect kitchen, bath or laundry room. They're convenient, space-saving solutions for every room in the home.



Closet Accessories 72

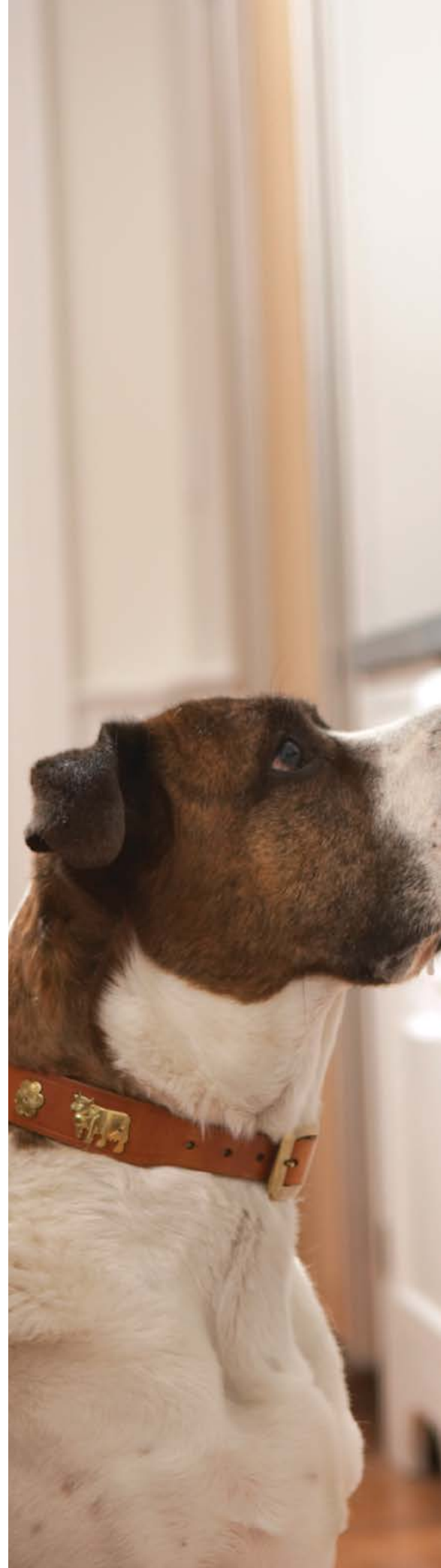
KV offers tubing, flanges, end caps, adjustable rods and tips for building the perfect closet. Care for and protect clothes, shoes and accessories, keeping everything organized and easy to access.

Index 81

Company and Product Information 83

Waste & Recycling

Features	4
Soft-Close, Wood Undermount	6
Soft-Close, Undermount	7
Soft-Close Top-mount	8
Soft-Close, Bottom-mount	9
Standard, Top-mount	10
Standard, Bottom-mount	11
Roll-Out and Door-mount Bracket Kits	12
Specialty Series	13
Bins and Lids	14
Cabinet Dimensions	15





Waste & Recycling

A complete offering with a total of seven product series, including four different levels of Soft-Close options. Each product has been designed to maximize usable cabinet interior and opening space, where two bins can often be used instead of only one. Multiple finish and size options fit all common cabinet opening sizes, making this one of the most extensive Waste & Recycling programs available today.

Soft-Close Technology

Soft-Close slides now come standard on four KV Waste & Recycling series products, making the world a quieter place by eliminating slamming and providing full closure every time.

Concealed Slide Hardware

Product designs conceal slide hardware on all KV Soft-Close Waste & Recycling products, creating a smooth, neutral look that is also easy to clean.

Bins & Lids

Bin styling is a welcome update to the industry-standard "boxy" look, plus it integrates effortlessly with hardware system for a secure fit. Optional lids conceal bin contents and hold plastic bags securely in place, now available for any 20 qt. or 35 qt. product.

Eco-Friendly Finish

KV Eco-Friendly, Frosted Nickel finish is compatible with the most popular nickel and stainless steel hardware and appliances, offering a soft and subtle alternative to chrome.

A Better Fit All Around

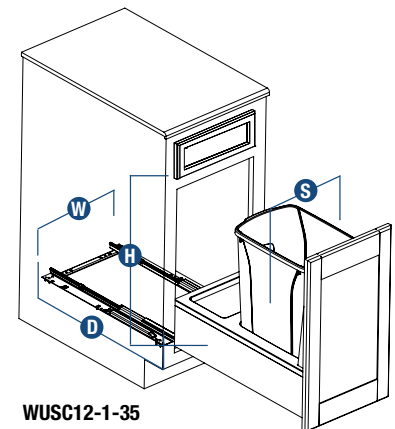
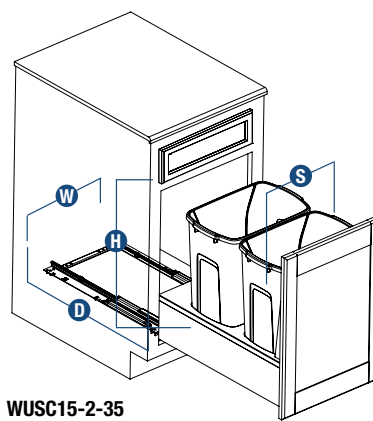
Features make installation faster and easier while also allowing individual products to be applied to a wider range of applications, door sizes and openings, creating a better fit all around.





Heavy-Duty, Soft-Close, Wood Undermount Waste & Recycling Bins

- Heavy-duty, undermount slide with Soft-Close technology and concealed hardware; 100 lb. dynamic / 125 lb. static
- Wood drawer box captures bin and provides a clean neutral look
- Single bin units include a storage space for trash bags or cleaning products
- Installs in minutes using self-aligning brackets secured with only six screws
- Unique, easy to clean, solid floor that prevents debris from falling through to the floor or inside cabinet
- Bins with optional lids



See pages 16–17 for recommended cabinet dimensions and clearances. See page 14 for bin & lid information.

Stock #	Sliding Assembly Width		Assembled Product Dimensions		Finish	Capacity per Bin	Number of Bins	Units per Carton	Weight per Carton
	S	W	H	D					
SINGLE BIN UNITS									
WUSC12-1-35WH	11-1/4" [286 mm]	11-1/4" [286 mm]	19-1/4" [489 mm]	22-3/8" [568 mm]	White	35 qt.	1	1	19.7 lbs. [8.9 kg.]
WUSC12-1-35PT	11-1/4" [286 mm]	11-1/4" [286 mm]	19-1/4" [489 mm]	22-3/8" [568 mm]	Platinum	35 qt.	1	1	19.7 lbs. [8.9 kg.]
WUSC12-1-50WH	11-1/4" [286 mm]	11-1/4" [286 mm]	23-5/16" [592 mm]	22-3/8" [568 mm]	White	50 qt.	1	1	19.7 lbs. [8.9 kg.]
WUSC12-1-50PT	11-1/4" [286 mm]	11-1/4" [286 mm]	23-5/16" [592 mm]	22-3/8" [568 mm]	Platinum	50 qt.	1	1	19.7 lbs. [8.9 kg.]
DOUBLE BIN UNITS									
WUSC12-2-27WH	11-1/4" [286 mm]	11-5/8" [286 mm]	19-5/8" [498 mm]	22-3/8" [568 mm]	White	27 qt.	2	1	20.9 lbs. [9.5 kg.]
WUSC12-2-27PT	11-1/4" [286 mm]	11-5/8" [286 mm]	19-5/8" [498 mm]	22-3/8" [568 mm]	Platinum	27 qt.	2	1	20.9 lbs. [9.5 kg.]
WUSC15-2-35WH	14-1/4" [362 mm]	14-5/8" [300 mm]	19-1/4" [489 mm]	22-3/8" [568 mm]	White	35 qt.	2	1	23.5 lbs. [10.7 kg.]
WUSC15-2-35PT	14-1/4" [362 mm]	14-5/8" [300 mm]	19-1/4" [489 mm]	22-3/8" [568 mm]	Platinum	35 qt.	2	1	23.5 lbs. [10.7 kg.]
WUSC18-2-50WH	16-7/8" [429 mm]	16-7/8" [429 mm]	23-1/32" [592 mm]	22-7/16" [570 mm]	White	50 qt.	2	1	24 lbs. [10.9 kg.]
WUSC18-2-50PT	16-7/8" [429 mm]	16-7/8" [429 mm]	23-1/32" [592 mm]	22-7/16" [570 mm]	Platinum	50 qt.	2	1	24 lbs. [10.9 kg.]

* If using lid, add 3/4". 30 lbs. maximum per bin, not to exceed 80 lbs. total weight. Not intended for bulk storage.



USC15-2-35PT
(with custom rail accents)

Heavy-Duty, Soft-Close, Undermount Waste & Recycling Bins

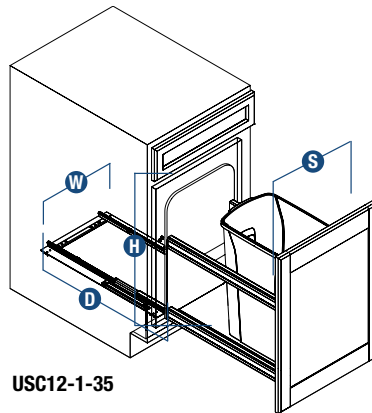
- Heavy-duty, undermount slide with Soft-Close technology; 100 lb. dynamic / 125 lb. static
- Installs in minutes using self-aligning brackets secured with only six screws
- Color coordinated aluminum side rails provide stability and conceal slide hardware
- Unique, easy to clean, solid backsplash and floor that prevents debris from falling through to floor or into cabinet
- Decorative rail accents can be customized to match countertops or cabinetry
- Bins with optional lids

Door-Mount Bracket

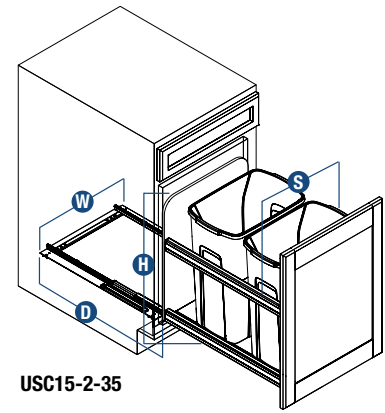
- Fits standard width opening up to door sizes 3" wider
- Simple, concealed two-screw door leveling
- Slotted screw holes allow for easy door centering
- Accommodates overlay or inset doors



USC12-1-35WH
(with optional QT35LB-W lid)



USC12-1-35



USC15-2-35

Stock #	Sliding Assembly Width S	Assembled Product Dimensions			Finish	Capacity per Bin	Number of Bins	Units per Carton	Weight per Carton
		Width W	Height* H	Depth D					
SINGLE BIN UNITS									
USC12-1-35WH	11-13/16" [299 mm]	11-13/16" [299 mm]	19-3/16" [487 mm]	22-7/16" [570 mm]	White	35 qt.	1	1	19.7 lbs. [8.9 kg.]
USC12-1-35PT	11-13/16" [299 mm]	11-13/16" [299 mm]	19-3/16" [487 mm]	22-7/16" [570 mm]	Platinum	35 qt.	1	1	19.7 lbs. [8.9 kg.]
USC12-1-50WH	11-13/16" [299 mm]	11-13/16" [299 mm]	23-1/4" [591 mm]	22-7/16" [570 mm]	White	50 qt.	1	1	22.1 lbs. [10 kg.]
USC12-1-50PT	11-13/16" [299 mm]	11-13/16" [299 mm]	23-1/4" [591 mm]	22-7/16" [570 mm]	Platinum	50 qt.	1	1	22.1 lbs. [10 kg.]
DOUBLE BIN UNITS									
USC12-2-27WH	11-13/16" [300 mm]	11-13/16" [300 mm]	19-1/2" [496 mm]	22-7/16" [570 mm]	White	27 qt.	2	1	20.9 lbs. [9.5 kg.]
USC12-2-27PT	11-13/16" [300 mm]	11-13/16" [300 mm]	19-1/2" [496 mm]	22-7/16" [570 mm]	Platinum	27 qt.	2	1	20.9 lbs. [9.5 kg.]
USC15-2-35WH	14-13/16" [376 mm]	14-13/16" [376 mm]	19-3/16" [487 mm]	22-7/16" [570 mm]	White	35 qt.	2	1	23.5 lbs. [10.7 kg.]
USC15-2-35PT	14-13/16" [376 mm]	14-13/16" [376 mm]	19-3/16" [487 mm]	22-7/16" [570 mm]	Platinum	35 qt.	2	1	23.5 lbs. [10.7 kg.]
USC18-2-50WH	14-13/16" [376 mm]	15-3/8" [391mm]	23-1/4" [592mm]	22-7/16" [570 mm]	White	50 qt.	2	1	24 lbs. [10.9 kg.]
USC18-2-50PT	14-13/16" [376 mm]	15-3/8" [391mm]	23-1/4" [592mm]	22-7/16" [570 mm]	Platinum	50 qt.	2	1	24 lbs. [10.9 kg.]

* If using lid, add 3/4". 30 lbs. maximum per bin, not to exceed 80 lbs. total weight. Not intended for bulk storage.

See pages 16–17 for recommended cabinet dimensions and clearances. See page 14 for bin & lid information.



TSC12-1-35WH
(with optional QT35LB-W lid)

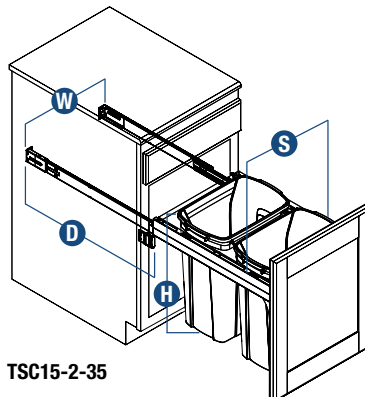
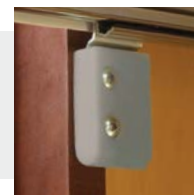
Soft-Close, Top-Mount Waste & Recycling Bins

- KV medium-duty, full-extension ball-bearing slides with Soft-Close technology and 1" over-travel
- Door-mount brackets include six-way adjustability for precise door alignment and easy installation
- Bins & optional Lids fit securely into multi-ply birch veneered plywood with soft radius edges
- Single-bin units feature a heavy-duty epoxy-coated wire accessory basket
- Color coordinated steel decorative slide hardware covers provide strength and stability while concealing slide hardware, creating a streamlined, easy-to-clean design

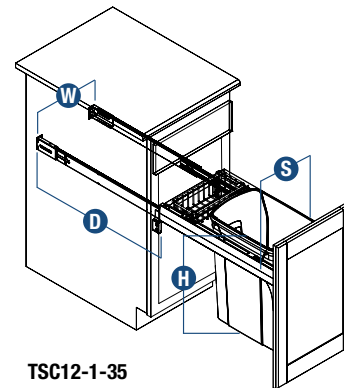


TSC15-2-35PT

Unique KV Face Frame Adapter Mounting Hardware accommodates 1-3/4" face frame cabinets by allowing for installation in openings 1/2" smaller than standard sizes (excluding TSC15-2-35PT and TSC15-2-35WH).



TSC15-2-35



TSC12-1-35

See pages 16-17 for recommended cabinet dimensions and clearances. See page 14 for bin & lid information.

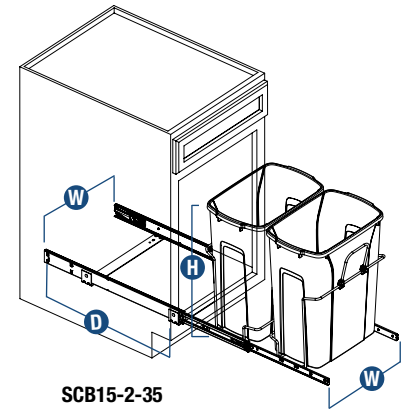
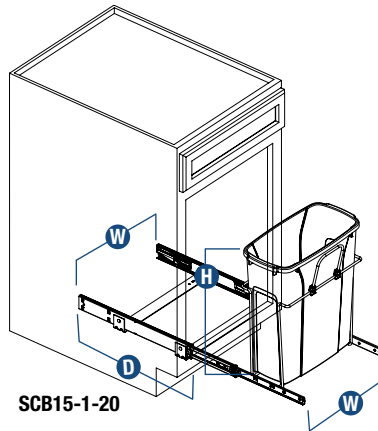
Stock #	Sliding Assembly Width S	Assembled Product Dimensions			Finish	Capacity per Bin	Number of Bins	Units per Carton	Weight per Carton
		Width W	Height* H	Depth D					
SINGLE BIN UNITS									
TSC12-1-35WH	11-5/16" [287 mm]	11-1/2" [292 mm]	17-1/2" [445 mm]	23-3/16" [589 mm]	White	35 qt.	1	1	13.9 lbs. [6.3 kg.]
TSC12-1-35PT	11-5/16" [287 mm]	11-1/2" [292 mm]	17-1/2" [445 mm]	23-3/16" [589 mm]	Platinum	35 qt.	1	1	13.9 lbs. [6.3 kg.]
TSC15-1-35WH	14-5/16" [364 mm]	14-1/2" [368 mm]	17-1/2" [445 mm]	23-3/16" [589 mm]	White	35 qt.	1	1	14.7 lbs. [6.7 kg.]
TSC15-1-35PT	14-5/16" [364 mm]	14-1/2" [368 mm]	17-1/2" [445 mm]	23-3/16" [589 mm]	Platinum	35 qt.	1	1	14.7 lbs. [6.7 kg.]
TSC15-1-50WH	14-5/16" [364 mm]	14-1/2" [368 mm]	21-5/8" [549 mm]	23-3/16" [589 mm]	White	50 qt.	1	1	15.7 lbs. [7.1 kg.]
TSC15-1-50PT	14-5/16" [364 mm]	14-1/2" [368 mm]	21-5/8" [549 mm]	23-3/16" [589 mm]	Platinum	50 qt.	1	1	15.7 lbs. [7.1 kg.]
DOUBLE BIN UNITS									
TSC15-2-35WH	14-13/16" [376 mm]	15" [381 mm]	17-1/2" [445 mm]	23-3/16" [589 mm]	White	35 qt.	2	1	14.9 lbs. [6.8 kg.]
TSC15-2-35PT	14-13/16" [376 mm]	15" [381 mm]	17-1/2" [445 mm]	23-3/16" [589 mm]	Platinum	35 qt.	2	1	14.9 lbs. [6.8 kg.]
TSC18-2-35WH	17-5/16" [440 mm]	17-1/2" [445 mm]	17-1/2" [445 mm]	23-3/16" [589 mm]	White	35 qt.	2	1	15.6 lbs. [7.1 kg.]
TSC18-2-35PT	17-5/16" [440 mm]	17-1/2" [445 mm]	17-1/2" [445 mm]	23-3/16" [589 mm]	Platinum	35 qt.	2	1	15.6 lbs. [7.1 kg.]

* If using lid, add 3/4". 30 lbs. maximum per bin, not to exceed 80 lbs. total weight. Not intended for bulk storage.



Soft-Close, Bottom-Mount Waste & Recycling Bins (door-mount optional)

- KV medium-duty, full-extension ball-bearing slides with Soft-Close technology and 1" over-travel
- Clip-On Handle
- KV Eco-Friendly Frosted Nickel finish or White
- Easy installation with only four screws into heavy-duty mounting straps
- Optional Door-Mount Bracket
- Specialized wire management systems hold Bins and optional Lids securely in place
- Bottom-mount units provide stability and are pre-assembled, for faster installation



Stock #	Sliding Assembly Width S	Assembled Product Dimensions			Finish [Hardware/Bin]	Capacity per Bin	Number of Bins	Units per Carton	Weight per Carton
		Width W	Height* H	Depth D					
SINGLE BIN UNITS									
SCB9-1-20PT	8-3/8" [218 mm]	8-3/8" [213 mm]	17-5/16" [440 mm]	20-1/8" [511 mm]	Frosted Nickel**/Platinum	20 qt.	1	1	11.5 lbs. [5.2 kg.]
SCB9-1-20WH	8-3/8" [218 mm]	8-3/8" [213 mm]	17-5/16" [440 mm]	20-1/8" [511 mm]	White/White	20 qt.	1	1	11.5 lbs. [5.2 kg.]
SCB10-1-35PT	9-5/8" [244 mm]	9-5/8" [244 mm]	18-13/16" [478 mm]	20-1/8" [511 mm]	Frosted Nickel**/Platinum	35 qt.	1	1	10.5 lbs. [4.8 kg.]
SCB10-1-35WH	9-5/8" [244 mm]	9-5/8" [244 mm]	18-13/16" [478 mm]	20-1/8" [511 mm]	White/White	35 qt.	1	1	10.5 lbs. [4.8 kg.]
SCB12-1-50PT	11-3/8" [299 mm]	11-3/8" [299 mm]	22-7/8" [581 mm]	20-1/8" [511 mm]	Frosted Nickel**/Platinum	50 qt.	1	1	11.5 lbs. [5.2 kg.]
SCB12-1-50WH	11-3/8" [299 mm]	11-3/8" [299 mm]	22-7/8" [581 mm]	20-1/8" [511 mm]	White/White	50 qt.	1	1	11.5 lbs. [5.2 kg.]
SCB15-1-20PT	14-3/8" [365 mm]	14-3/8" [365 mm]	17-5/16" [440 mm]	16" [406 mm]	Frosted Nickel**/Platinum	20 qt.	1	1	10.7 lbs. [4.9 kg.]
SCB15-1-20WH	14-3/8" [365 mm]	14-3/8" [365 mm]	17-5/16" [440 mm]	16" [406 mm]	White/White	20 qt.	1	1	10.7 lbs. [4.9 kg.]
DOUBLE BIN UNITS									
SCB12-2-27WH	11" [279 mm]	11-3/8" [299 mm]	18-3/4" [476 mm]	22" [558 mm]	White/White	27 qt.	2	1	14.0 lbs. [6.4 kg.]
SCB12-2-27PT	11" [279 mm]	11-3/8" [299 mm]	18-3/4" [476 mm]	22" [558 mm]	Frosted Nickel**/Platinum	27 qt.	2	1	14.0 lbs. [6.4 kg.]
SCB15-2-20PT	14-3/8" [365 mm]	14-3/8" [365 mm]	17-5/16" [440 mm]	20-1/8" [511 mm]	Frosted Nickel**/Platinum	20 qt.	2	1	18.1 lbs. [8.2 kg.]
SCB15-2-20WH	14-3/8" [365 mm]	14-3/8" [365 mm]	17-5/16" [440 mm]	20-1/8" [511 mm]	White/White	20 qt.	2	1	18.1 lbs. [8.2 kg.]
SCB15-2-35PT	14-3/8" [365 mm]	14-3/8" [365 mm]	18-13/16" [478 mm]	22" [558 mm]	Frosted Nickel**/Platinum	35 qt.	2	1	19.7 lbs. [8.9 kg.]
SCB15-2-35WH	14-3/8" [365 mm]	14-3/8" [365 mm]	18-13/16" [478 mm]	22" [558 mm]	White/White	35 qt.	2	1	19.7 lbs. [8.9 kg.]
TRIPLE BIN UNITS									
SCB15-3-20WH	14-3/8" [365 mm]	14-3/8" [365 mm]	17-9/16" [446 mm]	22" [558 mm]	White/White	20 qt.	3	1	17.3 lbs. [7.8 kg.]
SCB15-3-20PT	14-3/8" [365 mm]	14-3/8" [365 mm]	17-9/16" [446 mm]	22" [558 mm]	Frosted Nickel**/Platinum	20 qt.	3	1	17.3 lbs. [7.8 kg.]
FOUR BIN UNITS									
SCB24-4-27WH	23-3/8" [603 mm]	23-3/8" [603 mm]	19" [482 mm]	22" [558 mm]	White/White	27 qt.	4	1	18.8 lbs. [8.5 kg.]
SCB24-4-27PT	23-3/8" [603 mm]	23-3/8" [603 mm]	19" [482 mm]	22" [558 mm]	Frosted Nickel**/Platinum	27 qt.	4	1	18.8 lbs. [8.5 kg.]

* If using lid, add 3/4".

** Eco-Friendly. See page 4 for more information. 30 lbs. maximum per bin, not to exceed 80 lbs. total weight. Not intended for bulk storage.

See pages 16-17 for recommended cabinet dimensions and clearances. See page 14 for bin & lid information.



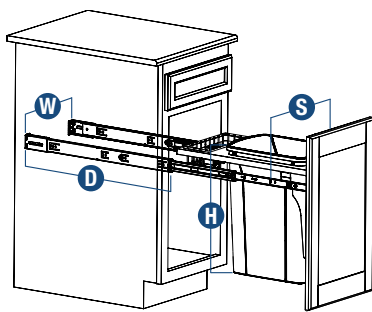
PDMTM12-1-35WH
(with optional QT35LB-W lid)

Standard, Top-Mount Waste & Recycling Bins

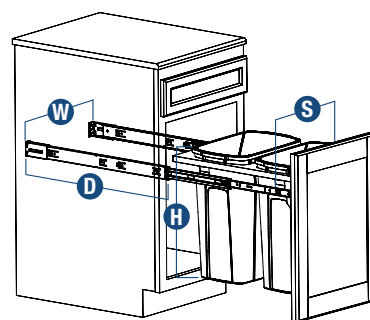
- White polymer removable Bins and optional Lids slide out on KV heavy-duty, precision ball-bearing slides
- Door-Mount Brackets include six-way adjustability for precise door alignment and easy installation
- Made of multi-ply birch veneered plywood with soft radius edges for safety and comfort
- Single-bin units feature a heavy-duty, epoxy-coated wire accessory basket



PDMTM15-2-35WH



PDMTM12-1-35WH



PDMTM15-2-35WH

See pages 16–17 for recommended cabinet dimensions and clearances. See page 14 for bin and lid information.

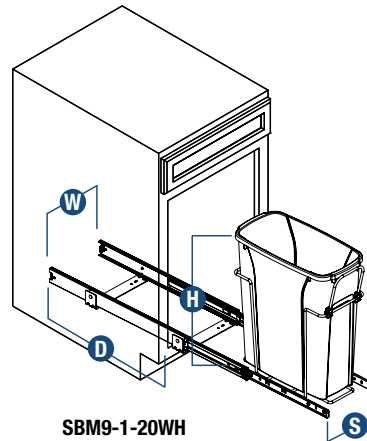
Stock #	Sliding Assembly Width S	Assembled Product Dimensions			Finish [Hardware/Bin]	Capacity per Bin	Number of Bins	Units per Carton	Weight per Carton
		Width W	Height* H	Depth D					
SINGLE BIN UNITS									
PDMTM115-1-35WH	10-15/16" [278 mm]	11-1/2" [292 mm]	17-1/2" [445 mm]	22-1/2" [572 mm]	Anochrome/White	35 qt.	1	1	12.6 lbs. [5.7 kg.]
PDMTM12-1-35WH	11-7/16" [291 mm]	12" [305 mm]	17-1/2" [445 mm]	22-1/2" [572 mm]	Anochrome/White	35 qt.	1	1	13.1 lbs. [5.9 kg.]
PDMTM145-1-50WH	13-15/16" [354 mm]	14-1/2" [368 mm]	21-5/8" [549 mm]	22-1/2" [572 mm]	Anochrome/White	50 qt.	1	1	14.5 lbs. [6.6 kg.]
DOUBLE BIN UNITS									
PDMTM15-2-35WH	14-7/16" [367 mm]	15" [381 mm]	17-1/2" [445 mm]	22-1/2" [572 mm]	Anochrome/White	35 qt.	2	1	14.2 lbs. [6.4 kg.]
PDMTM175-2-35WH	16-15/16" [430 mm]	17-1/2" [445 mm]	17-1/2" [445 mm]	22-1/2" [572 mm]	Anochrome/White	35 qt.	2	1	15.7 lbs. [7.1 kg.]
PDMTM18-2-35WH	17-7/16" [443 mm]	18" [457 mm]	17-1/2" [445 mm]	22-1/2" [572 mm]	Anochrome/White	35 qt.	2	1	15.9 lbs. [7.2 kg.]
PDMTM21-2-35WH	20-7/16" [519 mm]	21" [533 mm]	17-1/2" [445 mm]	22-1/2" [572 mm]	Anochrome/White	35 qt.	2	1	16.5 lbs. [7.5 kg.]

* If using lid, add 3/4". 30 lbs. maximum per bin, not to exceed 80 lbs. total weight. Not intended for bulk storage.

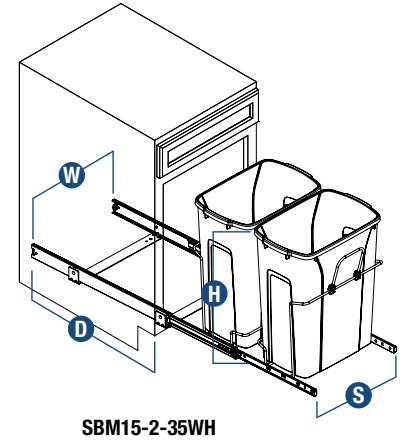


Standard, Bottom-Mount Waste & Recycling Bins *(door-mount optional)*

- KV medium-duty ball-bearing precision slides
- Updated wire management system holds bins securely in place
- Pre-assembled units with heavy-duty mounting straps install easily with only four screws
- Clip-on handle comes single and double-bin units. Integrated handle on all triple and four bin units
- Optional Door-Mount Bracket
- Optional lids available



SBM9-1-20WH



SBM15-2-35WH

Stock #	Sliding Assembly Width S	Assembled Product Dimensions			Finish	Capacity per Bin	Number of Bins	Units per Carton	Weight per Carton
		Width W	Height* H	Depth D					
SINGLE BIN UNITS									
SBM9-1-20WH	8" [203 mm]	8" [203 mm]	17-5/16" [440 mm]	20-1/8" [511 mm]	White	20 qt.	1	1	10.3 lbs. [4.7 kg.]
SBM10-1-35WH	9-5/8" [244 mm]	9-5/8" [244 mm]	18-13/16" [478 mm]	20-1/8" [511 mm]	White	35 qt.	1	1	9.4 lbs. [4.3 kg.]
SBM12-1-50WH	11-3/8" [289 mm]	11-3/8" [289 mm]	22-7/8" [581 mm]	20-1/8" [511 mm]	White	50 qt.	1	1	10.5 lbs. [4.8 kg.]
SBM15-1-20WH	14-3/8" [365 mm]	14-3/8" [365 mm]	17-5/16" [440 mm]	16" [406 mm]	White	20 qt.	1	1	9.3 lbs. [4.2 kg.]
SBM15-1-35WH	14-3/8" [365 mm]	14-3/8" [365 mm]	18-3/4" [478 mm]	16" [406 mm]	White	35 qt.	1	1	14.6 lbs. [6.6 kg.]
DOUBLE BIN UNITS									
SBM12-2-27WH	11-3/8" [289 mm]	11-3/8" [289 mm]	18-3/4" [476 mm]	22" [558 mm]	White	27 qt.	2	1	12.9 lbs. [5.9 kg.]
SBM15-2-20WH	14-3/8" [365 mm]	14-3/8" [365 mm]	17-5/16" [440 mm]	20-1/8" [511 mm]	White	20 qt.	2	1	16.8 lbs. [7.6 kg.]
SBM15-2-35WH	14-3/8" [365 mm]	14-3/8" [365 mm]	18-13/16" [478 mm]	22" [558 mm]	White	35 qt.	2	1	18.3 lbs [8.3 kg.]
TRIPLE BIN UNITS									
SBM15-3-20WH	14-3/8" [365 mm]	14-3/8" [365 mm]	17-9/16" [440 mm]	22" [558 mm]	White	20 qt.	3	1	14.9 lbs. [6.8 kg.]
FOUR BIN UNITS									
SBM24-4-27WH	23-3/8" [594 mm]	23-3/8" [594 mm]	19" [483 mm]	22" [558 mm]	White	27 qt.	4	1	18.4 lbs. [8.3 kg.]

* If using lid, add 3/4". 30 lbs. maximum per bin, not to exceed 80 lbs. total weight. Not intended for bulk storage.

See pages 16–17 for recommended cabinet dimensions and clearances. See page 14 for bin and lid information.



Roll-Out Waste & Recycling Non-Lidded

- Dual orientation allows for installation in both narrow and wide applications
- Mounted on roller slides for easy accessibility
- Bins and Hardware: Bin styling is a welcome update to the industry-standard “boxy” look. Hardware sits in bin grooves to hold it securely in place
- Optional lids available
- Mounting templates provided for easy installation

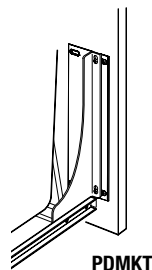
Stock #	Sliding Assembly		Assembled Product Dimensions				Finish [Hardware/Bin]	Capacity per Bin	Number of Bins	Units per Carton	Weight per Carton
	Narrow Width	Wide Width	Narrow Width	Wide Width	Height	Depth					
ROLL-OUT WASTE & RECYCLING/NON-LIDDED											
ECW9-1-20WH	7-5/16" [185 mm]	14-3/8" [365 mm]	7-13/16" [198 mm]	14-5/16" [363 mm]	17-7/16" [441 mm]	16" [406 mm]	White	20 qt.	1	1	6 lbs.
ECW10-1-35WH	9-3/4" [247 mm]	14-3/8" [365 mm]	9-7/8" [240 mm]	14-5/16" [363 mm]	18-15/16" [481 mm]	16" [406 mm]	White	35 qt.	1	1	6-1/2 lbs.

See pages 16–17 for recommended cabinet dimensions and clearances. See page 14 for bin and lid information.



Door-Mount Bracket Kits

- Easy installation into handle mounting holes with only four screws
- Six-way adjustability for alignment of cabinet door with easy “drop-in” keyhole attachment
- Adapts from standard width opening up to door sizes 3" wider
- KV Eco-Friendly Frosted Nickel finish or White
- Allows for application with most common cabinet door overlays
- Eliminates need for sub-panel support behind cabinet door



Stock #	Description	Finish	Units Per Carton	Weight Per Carton
DOOR-MOUNT BRACKET KITS				
PDMKTWH*	—	White	1	2.3 lbs. [1 kg.]
PDMKTPT*	—	Frosted Nickel	1	2.3 lbs. [1 kg.]

* Instructions and hardware included with all kits.

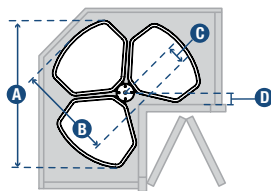
Note: Door-Mount Kit adds 3/8" to depth of Waste & Recycle unit.



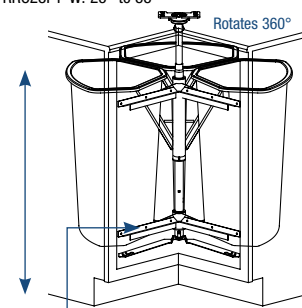
RRC28K-W

Corner Recycling Centers

- Three removable white polymer 32 qt. bins rotate on 1" diameter post
- Designed to fit in 36" base corner cabinet



Post Height Range
 RRC28K-W: 28-1/2" to 30-1/2"
 RRC28PT-W: 25" to 33"



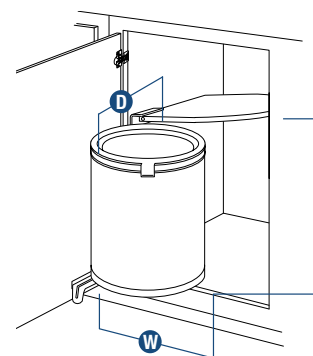
RRC28PT-W model includes hardware to mount to revolving cabinet door



TM32-W

Pivot-Out Waste & Recycling Bin

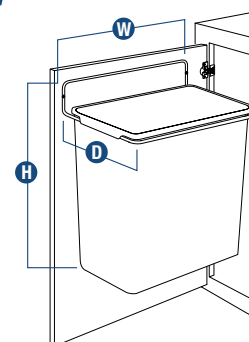
- Pivot-out waste bin with self-opening and self-closing lid
- Clamping ring holds bags securely
- Works with most face frame & frameless cabinets



DWB975-W

Door-Mounted Waste Bin

- White polymer removable bin mounts on White frame
- Perfect for kitchens and baths
- Installs with two screws



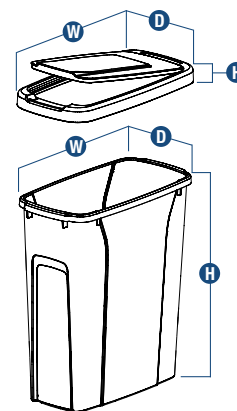
Stock #	Diameter		Assembled Product Dimensions		Finish [Hardware/Bin]	Capacity per Bin	Number of Bins	Units per Carton	Weight per Carton
	A	B	C	D					
CORNER RECYCLING CENTER									
RRC28K-W	27-5/8" [702 mm]	18-5/16" [465 mm]	4-1/2" [114 mm]	3-3/16" [81 mm]	Chrome/White	32 qt.	3	1	15.3 lbs. [6.9 kg.]
RRC28PT-W	27-5/8" [702 mm]	18-5/16" [465 mm]	4-1/2" [114 mm]	3-3/16" [81 mm]	Chrome/White	32 qt.	3	1	18.8 lbs. [8.5 kg.]
Stock #	Assembled Product Dimensions*			Finish	Capacity per Bin	Number of Bins	Units per Carton	Weight per Carton	
	Width W	Height H	Depth D						
PIVOT-OUT WASTE & RECYCLING BIN									
TM32-W	13-1/2" [345 mm]	19-1/2" [495 mm]**	13" [332 mm]	White	32 qt.	1	1	6.3 lbs. [2.9 kg.]	
DOOR-MOUNTED WASTE BIN									
DWB975-W	9-1/2" [241 mm]	13-3/8" [340 mm]	7" [178 mm]	White/White	9 qt.	1	1	1.7 lbs. [0.8 kg.]	

*Product dimensions include units in a fully-closed position, unless noted otherwise. **Height listed is when product is in an open position.

See pages 16-17 for recommended cabinet dimensions and clearances. See page 14 for bin and lid information.

Replacement Bins & Lids

Stock #	Dimensions			Finish	Description	Units per Carton	Weight per Carton
	Width W	Height* H	Depth D				
BINS							
QT20PB-WH	14-1/4" [362 mm]	16" [406 mm]	7-1/4" [184 mm]	White	20 qt.	6	12 lbs. [5.4 kg.]
QT20PB-PT	14-1/4" [362 mm]	16" [406 mm]	7-1/4" [184 mm]	Platinum	20 qt.	6	12 lbs. [5.4 kg.]
QT27PB-W	10-5/8" [270 mm]	17-3/4" [451 mm]	10-5/8" [270 mm]	White	27 qt.	10	17.4 lbs. [7.9 kg.]
QT27PB-PT	10-5/8" [270 mm]	17-3/4" [451 mm]	10-5/8" [270 mm]	Platinum	27 qt.	10	17.4 lbs. [7.9 kg.]
QT32PB-W	14" [356 mm]	20" [508 mm]	11-3/4" [298 mm]	White	32 qt.	1	4 lbs. [1.8 kg.]
QT35PB-WH	14-1/4" [362 mm]	17-1/2" [445 mm]	9-3/16" [233 mm]	White	35 qt.	6	14 lbs. [6.4 kg.]
QT35PB-PT	14-1/4" [362 mm]	17-1/2" [445 mm]	9-3/16" [233 mm]	Platinum	35 qt.	6	14 lbs. [6.4 kg.]
QT50PB-W	15-3/8" [391 mm]	21-3/8" [542 mm]	11-1/8" [283 mm]	White	50 qt.	8	20 lbs. [9.1 kg.]
QT50PB-P	15-3/8" [391 mm]	21-3/8" [542 mm]	11-1/8" [283 mm]	Platinum	50 qt.	8	20 lbs. [9.1 kg.]
LIDS							
QT20LB-WH	14-1/2" [368 mm]	*	7-7/16" [189 mm]	White	Fits 20 qt.	1	2 lbs. [0.9 kg.]
QT20LB-PT	14-1/2" [368 mm]	*	7-7/16" [189 mm]	Platinum	Fits 20 qt.	1	2 lbs. [0.9 kg.]
QT35LB-WH	14-1/2" [368 mm]	*	9-9/16" [243 mm]	White	Fits 35 qt.	1	2 lbs. [0.9 kg.]
QT35LB-PT	14-1/2" [368 mm]	*	9-9/16" [243 mm]	Platinum	Fits 35 qt.	1	2 lbs. [0.9 kg.]



* Lid adds 3/4" to bin height.

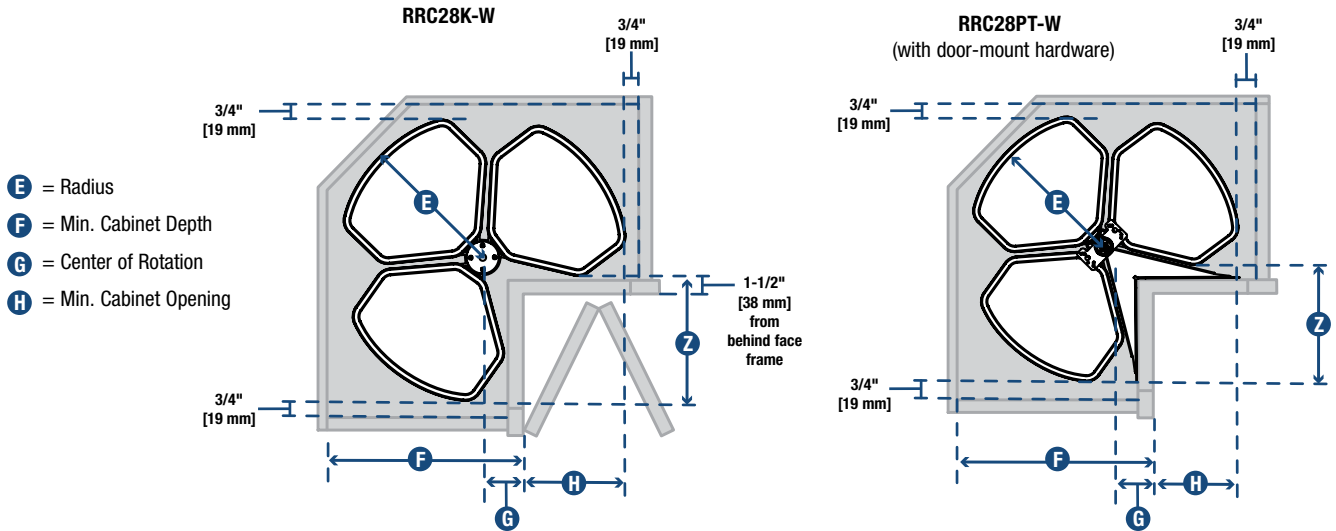
See pages 16-17 for recommended cabinet dimensions and clearances. See page 14 for bin and lid information.

Replacement Bin Chart					
PRODUCT NUMBER:	REPLACEMENT STOCK NUMBER:	PRODUCT NUMBER:	REPLACEMENT STOCK NUMBER:	PRODUCT NUMBER:	REPLACEMENT STOCK NUMBER:
SCB10-1-35WH	QT35PB-WH	PDMTM145-1-50WH	QT50PB-W	TSC15-1-35WH	QT35PB-WH
SCB10-1-35PT	QT35PB-PT	PDMTM15-2-35WH	QT35PB-WH	TSC15-1-35PT	QT35PB-PT
SCB12-1-50WH	QT50PB-W	PDMTM175-2-35WH	QT35PB-WH	TSC15-1-50WH	QT50PB-W
SCB12-1-50PT	QT50PB-P	PDMTM18-2-35WH	QT35PB-WH	TSC15-1-50PT	QT50PB-P
SCB12-2-27WH	QT27PB-W	PDMTM21-2-35WH	QT35PB-WH	TSC15-2-35WH	QT35PB-WH
SCB12-2-27PT	QT27PB-PT	SBM12-2-27WH	QT27PB-W	TSC15-2-35PT	QT35PB-PT
SCB15-1-20WH	QT20PB-WH	SBM24-4-27WH	QT27PB-W	TSC18-2-35WH	QT35PB-WH
SCB15-1-20PT	QT20PB-PT	SBM10-1-35WH	QT35PB-WH	TSC18-2-35PT	QT35PB-PT
SCB15-2-20WH	QT20PB-WH	SBM12-1-50WH	QT50PB-W	USC12-1-35WH	QT35PB-WH
SCB15-2-20PT	QT20PB-PT	SBM15-1-20WH	QT20PB-WH	USC12-1-35PT	QT35PB-PT
SCB15-2-35WH	QT35PB-WH	SBM15-1-35WH	QT35PB-WH	USC12-1-50WH	QT50PB-W
SCB15-2-35PT	QT35PB-PT	SBM15-2-20WH	QT20PB-WH	USC12-1-50PT	QT50PB-PT
SCB15-3-20WH	QT20PB-WH	SBM15-2-35WH	QT35PB-WH	USC12-2-27WH	QT27PB-W
SCB15-3-20PT	QT20PB-PT	SBM15-3-20WH	QT20PB-WH	USC12-2-27PT	QT27PB-PT
SCB24-4-27WH	QT27PB-W	SBM9-1-20WH	QT20PB-WH	USC15-2-35WH	QT35PB-WH
SCB24-4-27PT	QT27PB-PT	RRC28K-W	QT32PB-W	USC15-2-35PT	QT35PB-PT
SCB9-1-20PT	QT20PB-PT	RRC28PT-W	QT32PB-W	USC18-2-50WH	QT50PB-WH
SCB9-1-20WH	QT20PB-WH	TSC12-1-35WH	QT35PB-WH	USC18-2-50PT	QT50PB-PT
PDMTM115-1-35WH	QT35PB-WH	TSC12-1-35PT	QT35PB-PT		
PDMTM12-1-35WH	QT35PB-WH				



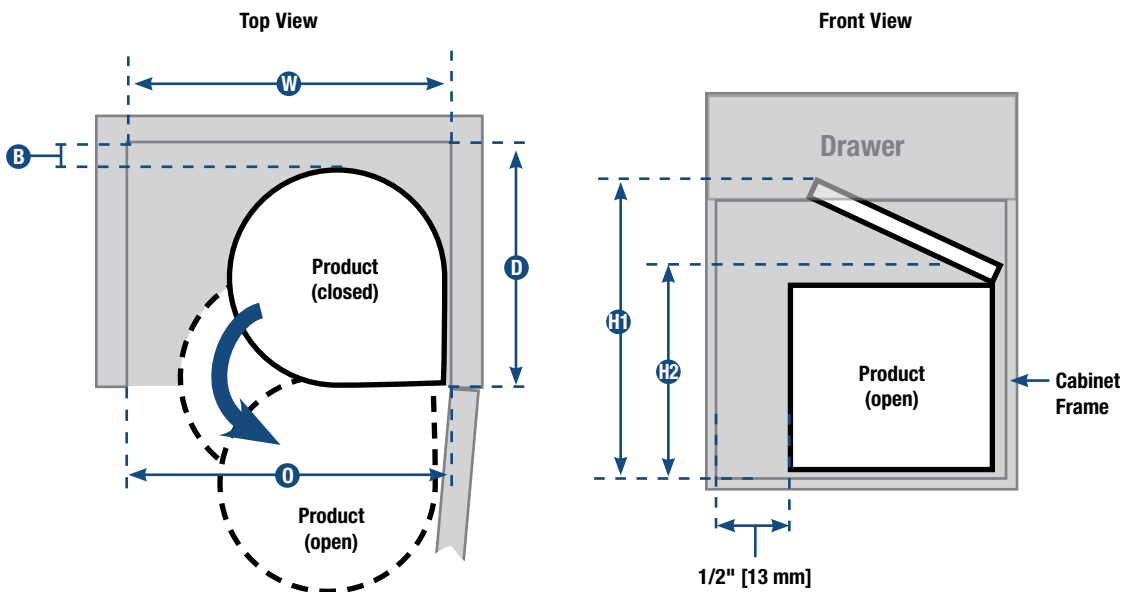
Cabinet Dimensions

Stock #	E	F	G	H	Z	Mounting
CORNER RECYCLING CENTERS						
RRC28K-W	13-13/16" [351 mm]	18-1/2" [470 mm]	3-15/16" [100 mm]	9-7/8" [251 mm]	12-1/8" [308 mm]	Top/Bottom
RRC28PT-W	13-13/16" [351 mm]	18-1/2" [470 mm]	3-15/16" [100 mm]	9-7/8" [251 mm]	12-1/8" [308 mm]	Top/Bottom



- E** = Radius
- F** = Min. Cabinet Depth
- G** = Center of Rotation
- H** = Min. Cabinet Opening

Stock #	Min. Cabinet Opening Width O	Minimum Interior Cabinet Dimensions			Minimum Cabinet Clearances Back B
		Width W	Height* H1	Height* H2	
PIVOT-OUT WASTE & RECYCLING BINS					
TM32-W	16-7/16" [418 mm]	16-7/16" [418 mm]	19-1/2" [495 mm]	17-3/4" [451 mm]	13-1/2" [343 mm]



*H1 represents minimum interior height with lid in fully open position. H2 represents minimum cabinet opening height with lid in fully open position. Dimensions shown are recommended minimum cabinet dimensions and clearances.

See pages 16–17 for recommended cabinet dimensions and clearances. See page 14 for bin and lid information.

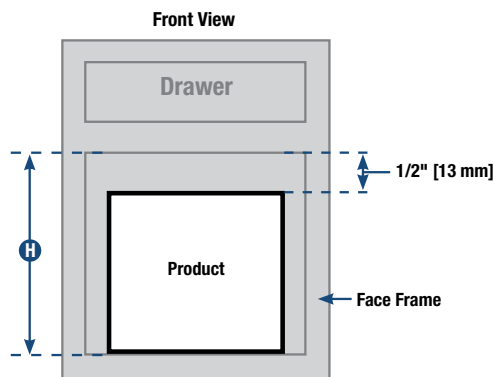
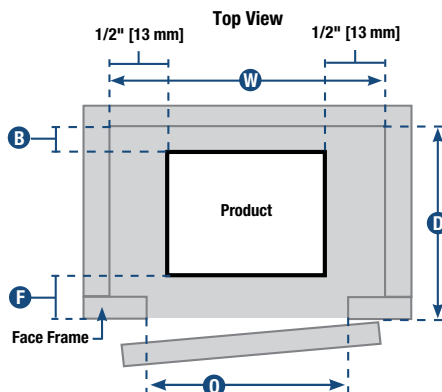
Cabinet Dimensions

Stock #	Min. Cabinet Opening		Minimum Interior Cabinet Dimensions		Minimum Cabinet Clearances	
	Width O	Width W	Height* H	Depth D	Front F	Back B
SINGLE BIN UNITS						
NON-DOOR-MOUNT						
ECW9-1-20WH	14-1/2" [368 mm]	7-1/2" [191 mm]	17-1/2" [444 mm]	16" [406 mm]	1/4" [6 mm]	1/8" [3 mm]
ECW10-1-35WH	14-1/2" [368 mm]	10" [254 mm]	19" [482 mm]	16" [406 mm]	1/4" [6 mm]	1/8" [3 mm]
SCB9-1-20PT	9" [229 mm]	9" [229 mm]	17-13/16" [452 mm]	20-1/2" [521 mm]	1/4" [6 mm]	1/8" [3 mm]
SCB9-1-20WH	9" [229 mm]	9" [229 mm]	17-13/16" [452 mm]	20-1/2" [521 mm]	1/4" [6 mm]	1/8" [3 mm]
SCB10-1-35PT	10" [254 mm]	10" [254 mm]	19-5/16" [491 mm]	20-1/2" [521 mm]	1/4" [6 mm]	1/8" [3 mm]
SCB10-1-35WH	10" [254 mm]	10" [254 mm]	19-5/16" [491 mm]	20-1/2" [521 mm]	1/4" [6 mm]	1/8" [3 mm]
SCB12-1-50PT	12" [305 mm]	12" [305 mm]	23-3/8" [594 mm]	20-1/2" [521 mm]	1/4" [6 mm]	1/8" [3 mm]
SCB12-1-50WH	12" [305 mm]	12" [305 mm]	23-3/8" [594 mm]	20-1/2" [521 mm]	1/4" [6 mm]	1/8" [3 mm]
SCB15-1-20PT	15" [381 mm]	15" [381 mm]	17-13/16" [452 mm]	16" [407 mm]	1/4" [6 mm]	1/8" [3 mm]
SCB15-1-20WH	15" [381 mm]	15" [381 mm]	17-13/16" [452 mm]	16" [407 mm]	1/4" [6 mm]	1/8" [3 mm]
SBM9-1-20WH	9" [229 mm]	9" [229 mm]	17-13/16" [452 mm]	20-1/2" [521 mm]	1/4" [6 mm]	1/8" [3 mm]
SBM10-1-35WH	10" [254 mm]	10" [254 mm]	19-5/16" [491 mm]	20-1/2" [521 mm]	1/4" [6 mm]	1/8" [3 mm]
SBM12-1-50WH	12" [305 mm]	12" [305 mm]	23-3/8" [594 mm]	20-1/2" [521 mm]	1/4" [6 mm]	1/8" [3 mm]
SBM15-1-20WH	15" [381 mm]	15" [381 mm]	17-13/16" [452 mm]	16-3/8" [416 mm]	1/4" [6 mm]	1/8" [3 mm]
SBM15-1-35WH	15" [381 mm]	15" [381 mm]	19-5/16" [491 mm]	16-3/8" [416 mm]	1/4" [6 mm]	1/8" [3 mm]
DOOR-MOUNT (BOTTOM-MOUNT)						
DWB975-W	12" [305 mm]	12" [305 mm]	12-1/8" [308 mm]	7-1/2" [191 mm]	–	1/8" [3 mm]
WUSC12-1-35PT	11-3/4" [298 mm]	11-3/4" [298 mm]	19-1/2" [241 mm]	22-1/2" [597 mm]	–	1/8" [3 mm]
WUSC12-1-35WH	11-3/4" [298 mm]	11-3/4" [298 mm]	19-1/2" [241 mm]	22-1/2" [597 mm]	–	1/8" [3 mm]
WUSC12-1-50PT	11-3/4" [298 mm]	11-3/4" [298 mm]	23-1/2" [597 mm]	22-1/2" [597 mm]	–	1/8" [3 mm]
WUSC12-1-50WH	11-3/4" [298 mm]	11-3/4" [298 mm]	23-1/2" [597 mm]	22-1/2" [597 mm]	–	1/8" [3 mm]
USC12-1-35WH	12" [305 mm]	12" [305 mm]	19-3/16" [487 mm]	22-5/8" [575 mm]	–	1/8" [3 mm]
USC12-1-35PT	12" [305 mm]	12" [305 mm]	19-3/16" [487 mm]	22-5/8" [575 mm]	–	1/8" [3 mm]
USC12-1-50WH	12" [305 mm]	12" [305 mm]	23-5/16" [592 mm]	22-5/8" [575 mm]	–	1/8" [3 mm]
USC12-1-50PT	12" [305 mm]	12" [305 mm]	23-5/16" [592 mm]	22-5/8" [575 mm]	–	1/8" [3 mm]
DOOR-MOUNT (TOP-MOUNT)						
PDMTM115-1-35WH	11-1/2" [292 mm]	11-1/2" [292 mm]	18" [457 mm]	22-1/2" [572 mm]	–	1/8" [3 mm]
PDMTM12-1-35WH	12" [305 mm]	12" [305 mm]	18" [457 mm]	22-1/2" [572 mm]	–	1/8" [3 mm]
PDMTM145-1-50WH	14-1/2" [368 mm]	14-1/2" [368 mm]	22-1/8" [562 mm]	22-1/2" [572 mm]	–	1/8" [3 mm]
TSC12-1-35WH	11-1/2" [292 mm]	11-1/2" [292 mm]	18" [457 mm]	23-3/8" [594 mm]	–	1/8" [3 mm]
TSC12-1-35PT	11-1/2" [292 mm]	11-1/2" [292 mm]	18" [457 mm]	23-3/8" [594 mm]	–	1/8" [3 mm]
TSC15-1-35WH	14-1/2" [368 mm]	14-1/2" [368 mm]	18" [457 mm]	23-3/8" [594 mm]	–	1/8" [3 mm]
TSC15-1-35PT	14-1/2" [368 mm]	14-1/2" [368 mm]	18" [457 mm]	23-3/8" [594 mm]	–	1/8" [3 mm]
TSC15-1-50WH	14-1/2" [368 mm]	14-1/2" [368 mm]	22-1/8" [562 mm]	23-3/8" [594 mm]	–	1/8" [3 mm]
TSC15-1-50PT	14-1/2" [368 mm]	14-1/2" [368 mm]	22-1/8" [562 mm]	23-3/8" [594 mm]	–	1/8" [3 mm]

* If using lid, add 3/4".

Dimensions shown are recommended minimum cabinet dimensions and clearances.

Example of Face Frame Cabinet Application

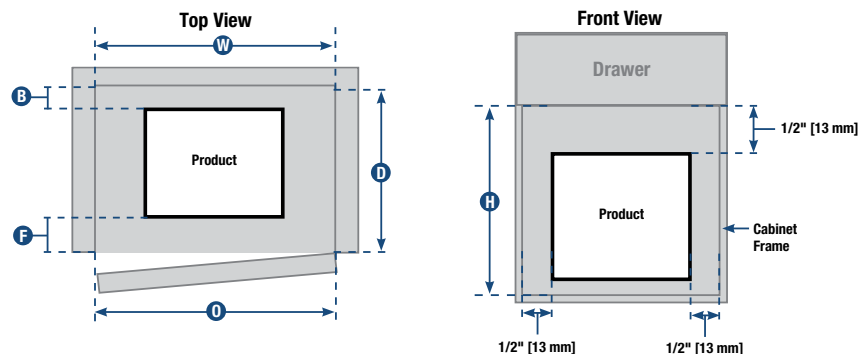


Cabinet Dimensions

Stock #	Min. Cabinet Opening		Minimum Cabinet Dimensions		Minimum Cabinet Clearances	
	Width O	Width W	Height* H	Depth D	Front F	Back B
DOUBLE BIN UNITS - NON-DOOR-MOUNT						
SCB12-2-27PT	12" [305 mm]	12" [305 mm]	19" [482 mm]	22-9/16 [573 mm]	–	1/8" [3 mm]
SCB12-2-27WH	12" [305 mm]	12" [305 mm]	19" [482 mm]	22-9/16 [573 mm]	1/4" [6 mm]	1/8" [3 mm]
SCB15-2-20PT	15" [381 mm]	15" [381 mm]	17-13/16" [452 mm]	20-3/8" [518 mm]	1/4" [6 mm]	1/8" [3 mm]
SCB15-2-20WH	15" [381 mm]	15" [381 mm]	17-13/16" [452 mm]	20-3/8" [518 mm]	1/4" [6 mm]	1/8" [3 mm]
SCB15-2-35PT	15" [381 mm]	15" [381 mm]	19-5/16" [491 mm]	23-3/8" [594 mm]	1/4" [6 mm]	1/8" [3 mm]
SCB15-2-35WH	15" [381 mm]	15" [381 mm]	19-5/16" [491 mm]	23-3/8" [594 mm]	1/4" [6 mm]	1/8" [3 mm]
SBM12-2-27WH	12" [305 mm]	12" [305 mm]	19" [482 mm]	22-9/16" [573 mm]	1/4" [6 mm]	1/8" [3 mm]
SBM15-2-20WH	15" [381 mm]	15" [381 mm]	17-13/16" [452 mm]	20-3/8" [518 mm]	1/4" [6 mm]	1/8" [3 mm]
SBM15-2-35WH	15" [381 mm]	15" [381 mm]	19-5/16" [491 mm]	22-3/8" [568 mm]	1/4" [6 mm]	1/8" [3 mm]
DOOR-MOUNT (BOTTOM-MOUNT)						
WUSC12-2-27PT	11-1/2" [292 mm]	11-3/4" [298 mm]	19-3/4" [502 mm]	22-1/2" [597 mm]	–	1/8" [3 mm]
WUSC12-2-27WH	11-1/2" [292 mm]	11-3/4" [298 mm]	19-3/4" [502 mm]	22-1/2" [597 mm]	–	1/8" [3 mm]
WUSC15-2-35PT	14-1/2" [368 mm]	14-3/4" [375 mm]	19-1/2" [502 mm]	22-1/2" [597 mm]	–	1/8" [3 mm]
WUSC15-2-35WH	14-1/2" [368 mm]	14-3/4" [375 mm]	19-1/2" [502 mm]	22-1/2" [597 mm]	–	1/8" [3 mm]
WUSC18-2-50PT	17" [432 mm]	17" [432 mm]	23-1/4" [591 mm]	22-9/16" [573 mm]	–	1/8" [3 mm]
WUSC18-2-50WH	17" [432 mm]	17" [432 mm]	23-1/4" [591 mm]	22-9/16" [573 mm]	–	1/8" [3 mm]
USC12-2-27PT	12" [305 mm]	12" [305 mm]	19-1/4" [489 mm]	22-9/16" [573 mm]	–	1/8" [3 mm]
USC12-2-27WH	12" [305 mm]	12" [305 mm]	19-1/4" [489 mm]	22-9/16" [573 mm]	–	1/8" [3 mm]
USC15-2-35WH	15" [381 mm]	15" [381 mm]	19-3/16" [487 mm]	22-5/8" [575 mm]	–	1/8" [3 mm]
USC15-2-35PT	15" [381 mm]	15" [381 mm]	19-3/16" [487 mm]	22-5/8" [575 mm]	–	1/8" [3 mm]
USC18-2-50WH	16" [406 mm]	15-5/8" [397 mm]	23-5/16" [592 mm]	22-5/8" [575 mm]	–	1/8" [3 mm]
USC18-2-50PT	16" [406 mm]	15-5/8" [397 mm]	23-5/16" [592 mm]	22-5/8" [575 mm]	–	1/8" [3 mm]
DOOR-MOUNT (TOP-MOUNT)						
PDMTM15-2-35WH	15" [381 mm]	15" [381 mm]	18" [457 mm]	22-1/2" [572 mm]	–	1/8" [3 mm]
PDMTM175-2-35WH	17-1/2" [445 mm]	17-1/2" [445 mm]	18" [457 mm]	22-1/2" [572 mm]	–	1/8" [3 mm]
PDMTM18-2-35WH	18" [457 mm]	18" [457 mm]	18" [457 mm]	22-1/2" [572 mm]	–	1/8" [3 mm]
PDMTM21-2-35WH	21" [533 mm]	21" [533 mm]	18" [457 mm]	22-1/2" [572 mm]	–	1/8" [3 mm]
TSC15-2-35WH	15" [381 mm]	15" [381 mm]	18" [457 mm]	23-3/8" [594 mm]	–	1/8" [3 mm]
TSC15-2-35PT	15" [381 mm]	15" [381 mm]	18" [457 mm]	23-3/8" [594 mm]	–	1/8" [3 mm]
TSC18-2-35WH	17-1/2" [445 mm]	17-1/2" [445 mm]	18" [457 mm]	23-3/8" [594 mm]	–	1/8" [3 mm]
TSC18-2-35PT	17-1/2" [445 mm]	17-1/2" [445 mm]	18" [457 mm]	23-3/8" [594 mm]	–	1/8" [3 mm]
TRIPLE BIN UNITS - NON-DOOR-MOUNT						
SCB15-3-20PT	15" [381 mm]	15" [381 mm]	17-13/16" [452 mm]	23-3/8" [594 mm]	1/4" [6 mm]	1/8" [3 mm]
SCB15-3-20WH	15" [381 mm]	15" [381 mm]	17-13/16" [452 mm]	23-3/8" [594 mm]	1/4" [6 mm]	1/8" [3 mm]
SBM15-3-20WH	15" [381 mm]	15" [381 mm]	17-13/16" [452 mm]	23-3/8" [594 mm]	1/4" [6 mm]	1/8" [3 mm]
FOUR BIN UNITS - NON-DOOR-MOUNT						
SCB24-4-27-PT	24" [610 mm]	24" [610 mm]	19-1/2" [495 mm]	22-5/8" [575 mm]	–	1/8" [3 mm]
SCB24-4-27WH	24" [610 mm]	24" [610 mm]	19-1/2" [495 mm]	22-5/8" [594 mm]	1/4" [6 mm]	1/8" [3 mm]
SBM24-4-27WH	24" [610 mm]	24" [610 mm]	19-1/2" [495 mm]	23-3/8" [594 mm]	1/4" [6 mm]	1/2" [13 mm]

* If using lid, add 3/4".

Example of Frameless / Euro-Style Cabinet Application



Lazy Susans

- Wood Lazy Susans20
- Polymer Lazy Susans21
- Wire Lazy Susans25
- Replacement Parts27
- Cabinet & Lip Dimensions29
- Diagrams32







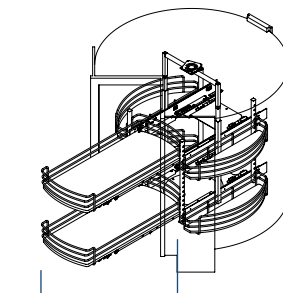
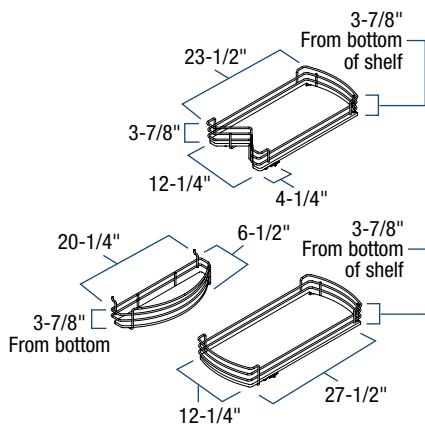
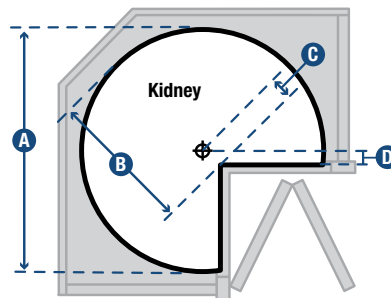
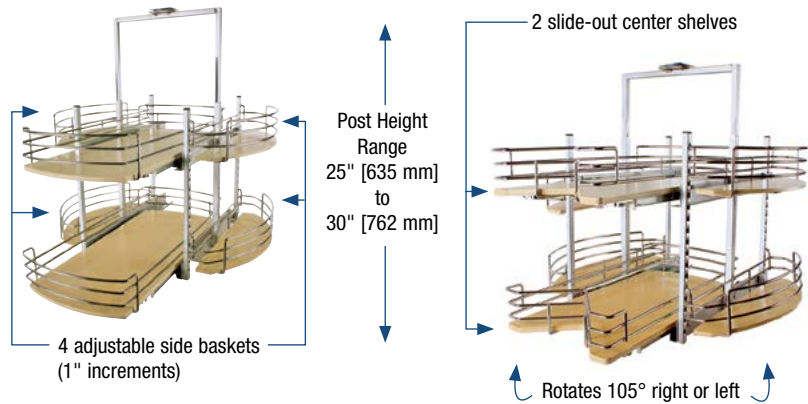
SDS-KD-28-FNW



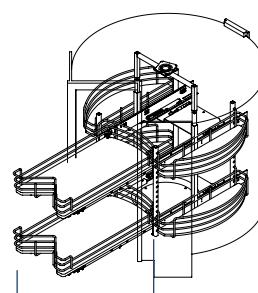
SDS-FR-28-FNW

Wood Lazy Susan Drawer Systems

- KV Eco-Friendly Frosted Nickel finish
- Two drawers slide out on KV Soft-Close undermount slides for easy access
- Unit pivots right or left to access four adjustable wood and wire baskets
- 1/2" thick, multi-ply shelf platforms with UV-cured clear coat finish



21" [533 mm] extension
SDS-FR-28-FNW



20" [508 mm] extension
SDS-KD-28-FNW

Stock #	Diameter		Assembled Product Dimensions		Finish	Units per Carton	Weight per Carton
	A	B	C	D			
FULL-ROUND							
SDS-FR-28-FNW	28" [711 mm]	-	-	-	Birch/Frosted Nickel**	1*	65.5 lbs. [29.7 kg.]
KIDNEY-SHAPED							
SDS-KD-28-FNW	28-7/8" [733 mm]	20-15/16" [532 mm]	8" [203 mm]	5-11/16" [144 mm]	Birch/Frosted Nickel**	1*	63 lbs. [28.6 kg.]

*Product is shipped in two cartons.

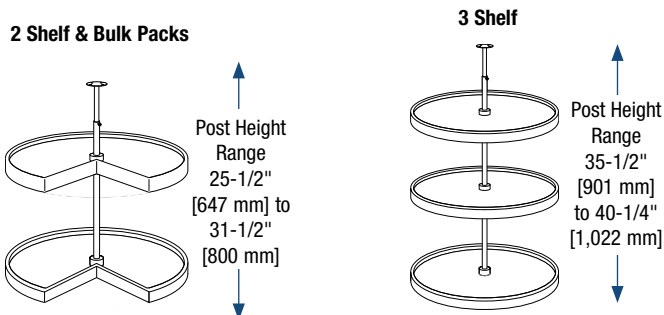
** Eco-Friendly. See page 4 for more information.

See Page 29 for available Cabinet and Shelf Lip Dimensions for the part numbers on this page.



Polymer Full-Round Lazy Susans

- Polymer construction with double wall rim and strengthening ribs
- Rim height is 1"
- Standard pack includes shelves, one post, installation template and hardware
- Independently rotating shelves



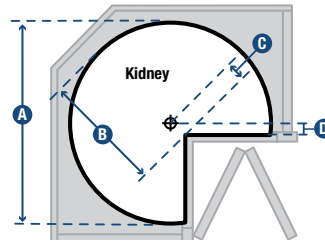
STANDARD PACK		BULK PACK		Diameter A	Minimum Cabinet Opening	Weight Limit per Shelf	Finish	STANDARD PACK		BULK PACK	
Stock #	Number of Shelves	Stock #	Number of Shelves					Units per Carton	Carton Weight	Units per Carton	Carton Weight
FULL-ROUND											
PFN18ST-W	2	-	-	18" [457.2 mm]	5-3/4" [146 mm]	30 lbs. [13.6 kg.]	White	1	8.4 lbs. [3.8 kg.]	-	-
PFN18S3T-W	3	-	-	18" [457.2 mm]	5-3/4" [146 mm]	30 lbs. [13.6 kg.]	White	1	12.1 lbs. [5.5 kg.]	-	-
PFN20ST-W	2	-	-	20" [508 mm]	6-3/4" [171 mm]	38 lbs. [17.1 kg.]	White	1	10.1 lbs. [4.6 kg.]	-	-
PFN20S3T-W	3	-	-	20" [508 mm]	6-3/4" [171 mm]	38 lbs. [17.1 kg.]	White	1	14.3 lbs. [6.5 kg.]	-	-
PFN24ST-W	2	-	-	24" [609.6 mm]	8-1/4" [210 mm]	55 lbs. [24.9 kg.]	White	1	12.1 lbs. [5.5 kg.]	-	-
PFN28ST-W	2	PFN28SBT-W*	10	28" [711.2 mm]	9-7/8" [251 mm]	78 lbs. [35.4 kg.]	White	1	15.5 lbs. [7.0 kg.]	5	74.4 lbs. [33.8 kg.]
PFN32ST-W	2	-	-	32" [812.8 mm]	11-1/2" [292 mm]	78 lbs. [35.4 kg.]	White	1	18.2 lbs. [8.3 kg.]	-	-

* Bulk Packs include 25-1/2" [648 mm] – 31-1/2" [800 mm] posts and hardware.

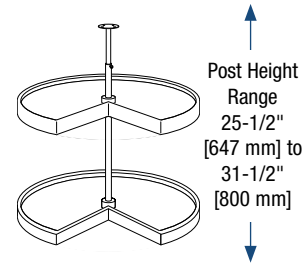


Polymer Kidney-Shaped Lazy Susans

- Polymer construction with double wall rim and strengthening ribs
- Rim height is 1"
- Standard pack includes shelves, one post, installation template and hardware
- Independently rotating shelves



2 Shelf & Bulk Packs



See Page 29 for available Cabinet and Shelf Lip Dimensions for the part numbers on this page.

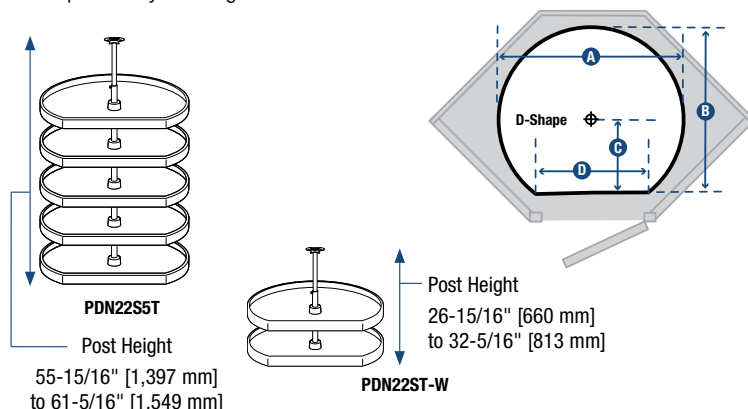
STANDARD PACK		BULK PACK		Diameter A	Assembled Product Dimensions			Minimum Cabinet Opening	Weight Limit per Shelf	Finish	STANDARD PACK		BULK PACK	
Stock #	Number of Shelves	Stock #	Number of Shelves		B	C	D				Units per Carton	Carton Weight	Units per Carton	Carton Weight
KIDNEY-SHAPED														
PKN18ST-W	2	-	-	18" [457 mm]	10-1/4" [260 mm]	1-1/4" [31 mm]	15/16" [24 mm]	-	23 lbs. [10.4 kg.]	White	1	7.9 lbs. [3.6 kg.]	-	-
PKN24ST-W	2	PKN24SBT-W*	10	24" [609 mm]	14-1/4" [362 mm]	2-1/4" [57 mm]	1-5/8" [40 mm]	-	45 lbs. [20.4 kg.]	White	1	9.9 lbs. [4.5 kg.]	5	45.2 lbs. [20.5 kg.]
PKN28ST-W	2	PKN28SBT-W*	10	28" [711 mm]	18-1/4" [464 mm]	4-1/4" [107 mm]	3-1/16" [76 mm]	-	67 lbs. [30.4 kg.]	White	1	13 lbs. [5.9 kg.]	5	58.8 lbs. [26.7 kg.]
PKN32ST-W	2	-	-	32" [812 mm]	22-1/4" [565 mm]	6-1/4" [158 mm]	4-7/16" [112 mm]	-	93 lbs. [42.2 kg.]	White	1	13 lbs. [5.9 kg.]	-	-

* Bulk Packs include 25-1/2" [648 mm] – 31-1/2" [800 mm] posts and hardware.



Polymer D-Shaped Lazy Susans

- Two shelf set for use in upper pantry cabinets
- Five shelf set for use in lower section of tall pantry cabinets or in 24" deep utility cabinets
- Independently rotating shelves

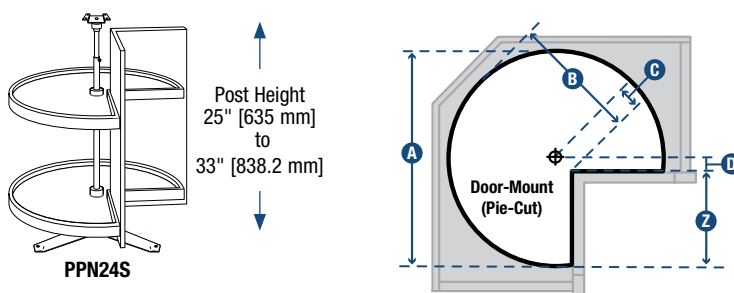


Stock #	Number of Shelves	Assembled Product Dimensions				Finish	Units per Carton	Weight per Carton
		A	B	C	D			
POLYMER D-SHAPED LAZY SUSANS								
PDN22ST-W	2	22" [559 mm]	18-3/16" [462 mm]	7-3/16" [183 mm]	16-11/16" [424 mm]	White	1	9.1 lbs. [4.1 kg.]
PDN22S5T-W	5	22" [559 mm]	18-3/16" [462 mm]	7-3/16" [183 mm]	16-11/16" [424 mm]	White	1	20.7 lbs. [9.4 kg.]



Polymer Door-Mount Lazy Susans

- Doors attach to Lazy Susan shelves for automatic shelf retrieval



Stock #	Number of Shelves	Assembled Product Dimensions					Finish	Units per Carton	Weight per Carton
		A	B	C	D	Z			
POLYMER DOOR-MOUNT LAZY SUSANS									
PPN24S-W	2	24" [609 mm]	14-1/4" [362 mm]	2-1/4" [57 mm]	1-5/8" [41 mm]	10-3/8" [264 mm]	White	1	10.7 lbs. [4.9 kg.]
PPN28S-W	2	28" [711 mm]	18-1/4" [464 mm]	4-1/4" [108 mm]	3-1/16" [78 mm]	10-15/16" [278 mm]	White	1	13.8 lbs. [6.3 kg.]

See Page 30 for available Cabinet and Shelf Lip Dimensions for the part numbers on this page.

Polymer Half-Moon Lazy Susans

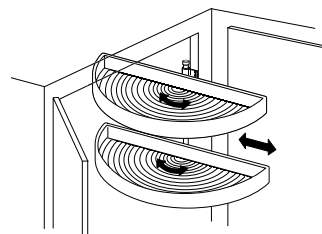
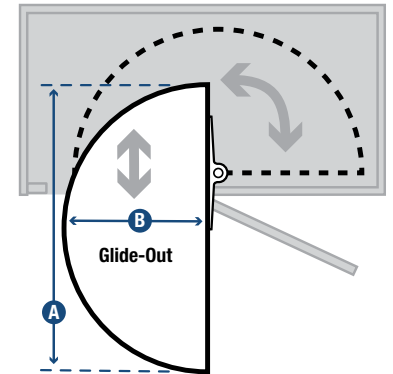
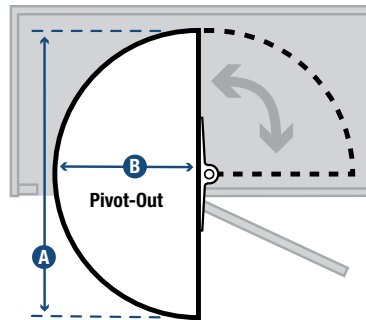
- Shelves move independently on chrome 1" diameter post
- All models operate in both right- or left-handed applications
- Pivot/Pivot Operation: both shelves pivot out
- Pivot/Glide Operation: top shelf pivots out / bottom shelf pivots and glides out
- Glide/Glide Operation: both shelves pivot and glide out
- All glide-out shelves extend 11-3/4" on precision ball-bearing slides



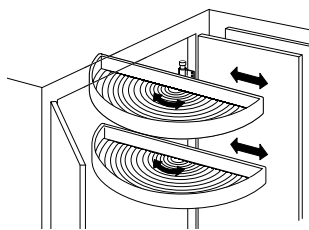
Pivot/Glide Operation
(PHM28PG-W shown)



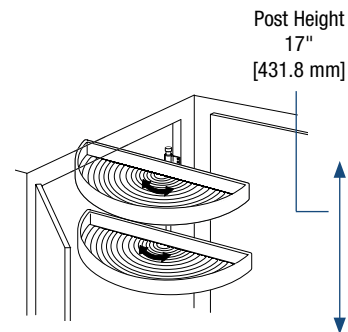
Glide/Glide Operation
(PHM28GG-W shown)



PHM28PG-W



PHM28GG-W



PHM28PP-W

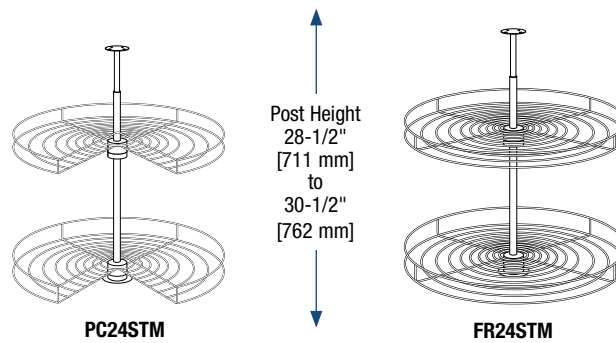
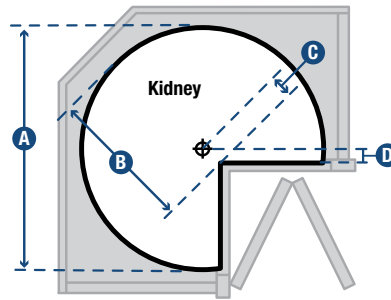
Post Height
17"
[431.8 mm]

Stock #	A	B	Finish	Units per Carton	Weight per Carton
PIVOT/PIVOT [TOP/BOTTOM] SHELF MOTION					
PHM28PP-W	27-7/8" [708 mm]	13" [330 mm]	White	1	13 lbs. [5.9 kg.]
PIVOT/GLIDE [TOP/BOTTOM] SHELF MOTION					
PHM28PG-W	27-7/8" [708 mm]	13" [330 mm]	White	1	16.5 lbs. [7.5 kg.]
PHM34PG-W	33-7/8" [860 mm]	16" [406 mm]	White	1	20 lbs. [9.1 kg.]
PHM40PG-W	39-7/8" [1,013 mm]	19" [483 mm]	White	1	27.4 lbs. [12.4 kg.]
GLIDE/GLIDE [TOP/BOTTOM] SHELF MOTION					
PHM28GG-W	27-7/8" [708 mm]	13" [330 mm]	White	1	19.8 lbs. [9.0 kg.]
PHM34GG-W	33-7/8" [860 mm]	16" [406 mm]	White	1	22.1 lbs. [10.0 kg.]
PHM40GG-W	39-7/8" [1,013 mm]	19" [483 mm]	White	1	30.8 lbs. [14.0 kg.]

See Page 31 for available Cabinet and Shelf Lip Dimensions for the part numbers on this page.

Wire Full-Round & Kidney-Shaped Lazy Susans

- KV Eco-Friendly Frosted Nickel finish or White
- Individual shelf rotation on chrome 1" diameter telescoping post
- Shelf mounting system allows for unlimited shelf positions on post



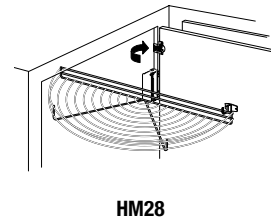
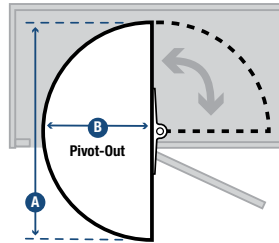
Stock #	Diameter				Assembled Product Dimensions		Finish	Units per Carton	Weight per Carton
	A	B	C	D					
FULL-ROUND									
FR24STM-FN	24" [609.6 mm]	–	–	–	Frosted Nickel*	1	12.8 lbs. [5.8 kg.]		
FR28STM-FN	28" [711.2 mm]	–	–	–	Frosted Nickel*	1	17.2 lbs. [7.8 kg.]		
FR24STM-W	24" [609.6 mm]	–	–	–	White	1	12.8 lbs. [5.8 kg.]		
FR28STM-W	28" [711.2 mm]	–	–	–	White	1	17.2 lbs. [7.8 kg.]		
KIDNEY-SHAPED									
PC24STM-FN	24" [610 mm]	14-3/8" [365 mm]	2-3/8" [60 mm]	1-11/16" [43 mm]	Frosted Nickel*	1	12.1 lbs. [5.5 kg.]		
PC28STM-FN	28" [711 mm]	18-5/8" [473 mm]	4-5/8" [117 mm]	3-5/16" [84 mm]	Frosted Nickel*	1	16.4 lbs. [7.5 kg.]		
PC32STM-FN	32" [813 mm]	20-3/4" [527 mm]	4-3/4" [121 mm]	3-3/8" [86 mm]	Frosted Nickel*	1	18 lbs. [8.2 kg.]		
PC24STM-W	24" [610 mm]	14-3/8" [365 mm]	2-3/8" [60 mm]	1-11/16" [43 mm]	White	1	12.1 lbs. [5.5 kg.]		
PC28STM-W	28" [711 mm]	18-5/8" [473 mm]	4-5/8" [117 mm]	3-5/16" [84 mm]	White	1	16.4 lbs. [7.5 kg.]		
PC32STM-W	32" [813 mm]	20-3/4" [527 mm]	4-3/4" [121 mm]	3-3/8" [86 mm]	White	1	18 lbs. [8.2 kg.]		

* Eco-Friendly. See page 4 for more information.

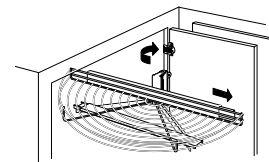
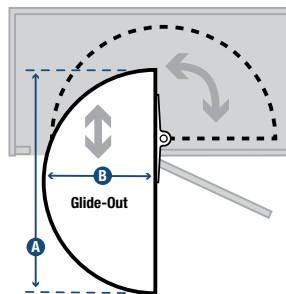


Wire Half-Moon Lazy Susans

- Designed for use in blind corner cabinets
- KV Eco-Friendly Frosted Nickel finish or White
- Pivot-out shelf features non-handed reversible hinge system
- Glide-out shelf extends on 21-5/8" heavy-duty ball-bearing slides
- Nylon door follower attaches Lazy Susan to door for automatic shelf retrieval (pivot-out models only)



HM28



HM28G

See Page 31 for available Cabinet and Shelf Lip Dimensions for the part numbers on this page.

Stock #	Diameter		Finish	Units per Carton	Weight per Carton
	A	B			
PIVOT-OUT SHELF MOTION					
HM25-W	24-1/2" [622 mm]	11-7/8" [302 mm]	White	1	4.4 lbs. [2.0 kg.]
HM28-W	27-1/2" [699 mm]	13-3/8" [340 mm]	White	1	4.7 lbs. [2.1 kg.]
HM30-W	29-1/2" [749 mm]	14-1/4" [365 mm]	White	1	5.0 lbs. [2.3 kg.]
HM34-W	33-1/2" [851 mm]	16-3/8" [416 mm]	White	1	6.0 lbs. [2.7 kg.]
HM25-FN	24-1/2" [622 mm]	11-7/8" [302 mm]	Frosted Nickel**	1	4.4 lbs. [2.0 kg.]
HM28-FN	27-1/2" [699 mm]	13-3/8" [340 mm]	Frosted Nickel**	1	4.7 lbs. [2.1 kg.]
HM34-FN	33-1/2" [851 mm]	16-3/8" [416 mm]	Frosted Nickel**	1	6.0 lbs. [2.7 kg.]

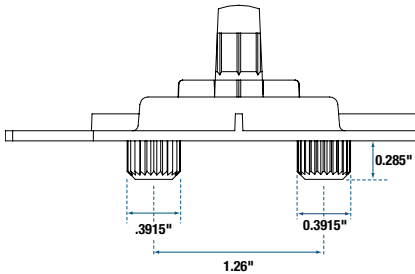
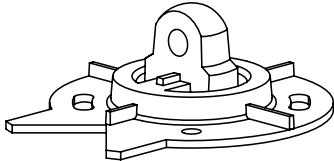
Stock #	Diameter		Finish	Units per Carton	Weight per Carton
	A	B			
GLIDE-OUT SHELF MOTION					
HM25G-W	24-13/16" [630 mm]	12-7/8" [327 mm]	White	1	9.9 lbs. [4.5 kg.]
HM28G-W	27-13/16" [706 mm]	14-1/4" [362 mm]	White	1	10.9 lbs. [4.9 kg.]
HM34G-W	33-13/16" [859 mm]	17-1/4" [438 mm]	White	1	11.7 lbs. [5.3 kg.]
HM25G-FN	24-13/16" [630 mm]	12-7/8" [327 mm]	Frosted Nickel**	1	9.9 lbs. [4.5 kg.]
HM28G-FN	27-13/16" [706 mm]	14-1/4" [362 mm]	Frosted Nickel**	1	10.9 lbs. [5 kg.]
HM34G-FN	33-13/16" [859 mm]	17-1/4" [438 mm]	Frosted Nickel**	1	11.7 lbs. [5.3 kg.]
HM28G-P	27-13/16" [706 mm]	14-1/4" [362 mm]	Platinum	1	10.9 lbs. [5 kg.]

**See page 4 for Frosted Nickel information.

Individual Hardware Replacement Parts

1 LS-UNIMNT-DWL

Doweled Plastic Unimount Plate
 (For Polymer/Wood Full-Round
 and Kidney Lazy Susans)



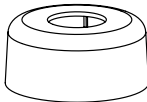
4 PLC-BR-C-10

Beauty Cap
 (For Polymer 18" & 20" Full-Round
 and 18" Kidney Lazy Susans)



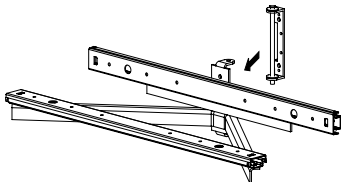
5 PLC-BROS-C-10

Beauty Cap (Oversized)
 (For Polymer 28" & 32" Full-Round, 24" & 32"
 Kidney and 22" D-Shaped Lazy Susans)



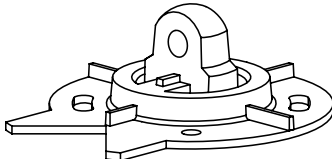
6 RH7G-W

Slide & Shelf Frame Assembly
 (For Wire Half-Moon Glide-Out Lazy Susans.)



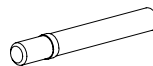
2 LS-UNIMNT-AA

Plastic Unimount Plate
 (For Polymer/Wood Full-Round
 and Kidney Lazy Susans)

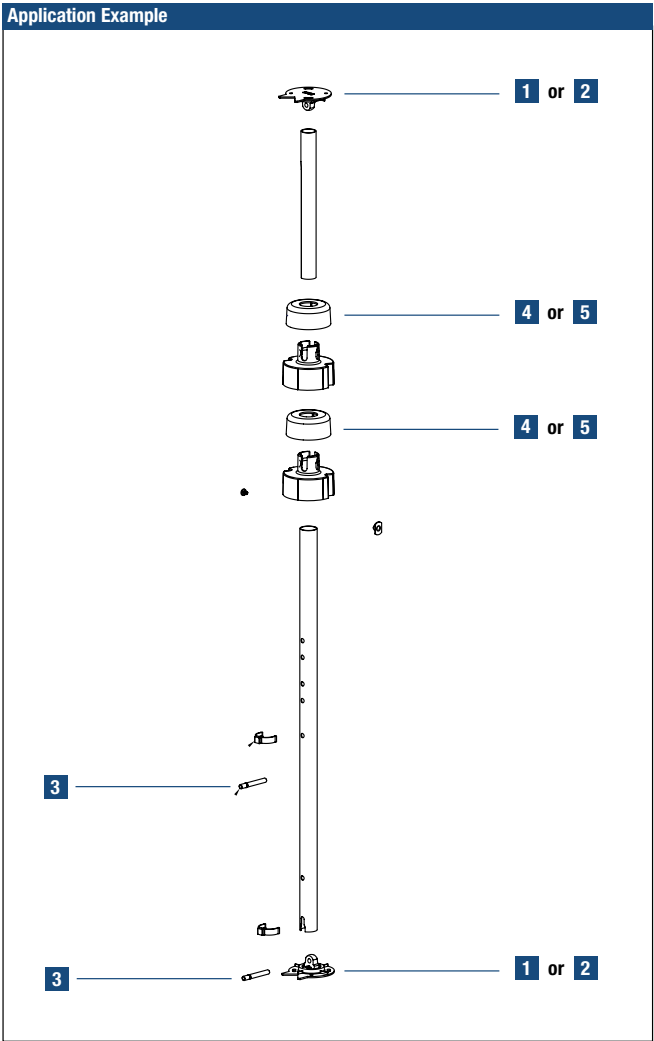


3 HUB-PIN

Bearing Pin for Lazy Susans
 (For Polymer/Wood Full-Round, Kidney
 Door-Mount, and Single Shelf Lazy Susans)



Application Example



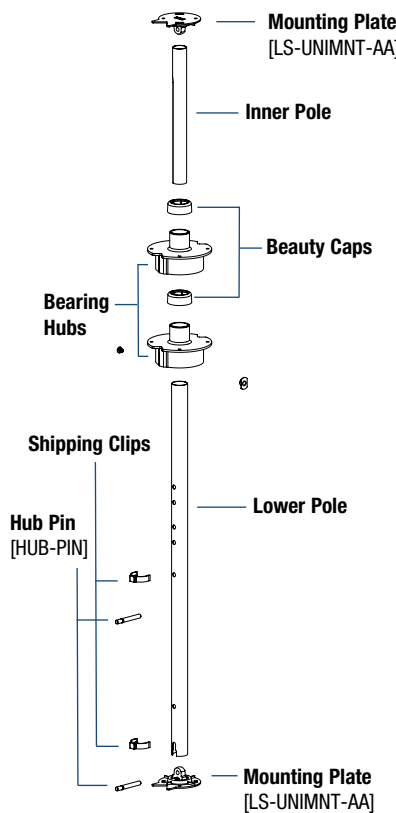
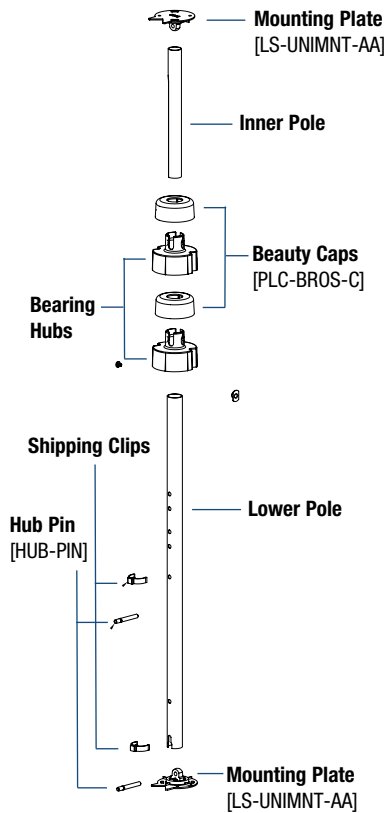
Stock #	Description	Units	Weight per Unit
INDIVIDUAL HARDWARE PARTS (SOLD PER UNIT)			
1 LS-UNIMNT-DWL	Doweled Plastic Unimount Plate	1	0.04 lbs. [0.02 kg.]
2 LS-UNIMNT-AA	Plastic Unimount Plate	1	0.07 lbs. [0.03 kg.]
3 HUB-PIN	Bearing Pin for Lazy Susans	1	0.5 lbs. [0.2 kg.]

Stock #	Description	Units per Carton	Weight per Carton
INDIVIDUAL HARDWARE PARTS (SOLD PER CARTON)			
4 PLC-BR-C-10	Beauty Cap	10	1.5 lbs. [0.68 kg.]
5 PLC-BROS-C-10	Beauty Cap (Oversized)	10	0.4 lbs. [0.18 kg.]
6 RH7G-W	Slide & Shelf Frame Assembly	2	12.8 lbs. [5.8 kg.]

Lazy Susan Post Replacement Parts

1 For POLYMER Full-Round / Kidney Shelves

2 For WOOD Full-Round / Kidney Shelves



NOTE: Items with part numbers may be ordered individually, see page 27.

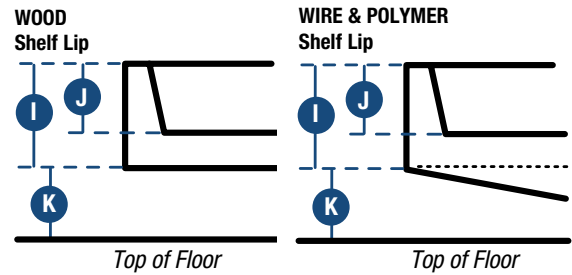
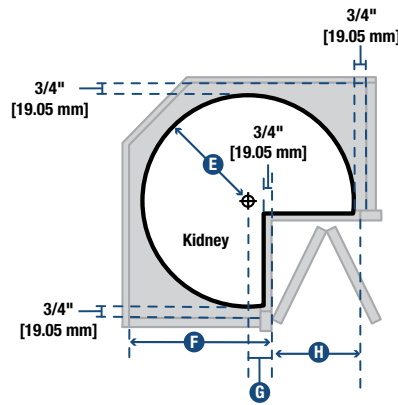
LAZY SUSAN POST HARDWARE PACKS											
STANDARD PACK #	Pkd.	BULK PACK #	Pkd.	For Shelf Type(s)	Bearing Hubs	Beauty/Post Caps	Mounting Plates	Post Height Range	STD. PK. Carton Wt.	BULK PK. Carton Wt.	
FULL-ROUND											
2	HWR-WFS-1-PC	1	–	–	Wood	Platinum	Chrome	Metal Unimount	25-1/2" – 31-1/2" [635 mm - 787 mm]	2.8 lbs. [1.3 kg.]	–
1	HN-F-TEL-PT	1	–	–	Polymer	White	–	Metal Unimount	25-1/2" – 31-1/2" [635 mm - 787 mm]	4.8 lbs. [2.2 kg.]	24 lbs. [10.9 kg.]
KIDNEY-SHAPED											
2	HWR-WKS-1-PC	1	–	–	Wood	Platinum	Chrome	Metal Unimount	25-1/2" – 31-1/2" [635 mm - 787 mm]	2.8 lbs. [1.3 kg.]	–
2	–	1	HWR-WS-BLK-10	10	Wood	White	White	White Plastic Unimount	25-1/2" – 31-1/2" [635 mm - 787 mm]	–	20 lbs. [9.1 kg.]
2	HWR-WS-1-DWL	1	–	–	Wood	White	White	Doweled White Plastic Unimount	25-1/2" – 31-1/2" [635 mm - 787 mm]	2.6 lbs. [1.2 kg.]	21.4 lbs. [9.7 kg.]
1	HN-K-TEL-PT	1	–	–	Polymer	White	Chrome	Metal Unimount	25-1/2" – 31-1/2" [635 mm - 787 mm]	1.9 lbs. [0.9 kg.]	9.5 lbs. [4.3 kg.]

All hardware packs include hub pins [HUB-PIN], shipping clips, installation hardware and instruction sheets.

Cabinet and Shelf Lip Dimensions

KIDNEY-SHAPED LAZY SUSANS

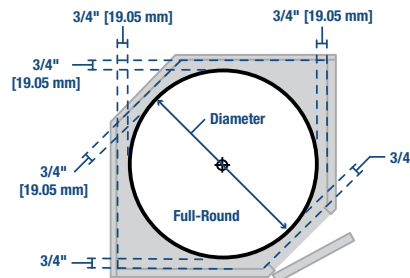
- E** = Radius
- F** = Min. Cabinet Depth
- G** = Center of Rotation
- H** = Min. Cabinet Opening



Stock #	E	F	G	H	I	J	K	Mounting
WOOD Kidney-Shaped Lazy Susans								
SDS-KD-28-FNW	14-7/16" [367 mm]	21-5/8" [549 mm]	6-7/16" [164 mm]	9-1/4" [235 mm]	4-1/8" [105 mm]	3-7/16" [87 mm]	2-1/16" [52 mm]	Top/Bottom
WIRE Kidney-Shaped Lazy Susans								
PC24STM-W	12" [305 mm]	15-3/16" [386 mm]	2-7/16" [62 mm]	10" [254 mm]	2" [51 mm]	1-3/4" [44 mm]	2-3/8" [60 mm]	Top/Bottom
PC28STM-W	14" [356 mm]	18-13/16" [478 mm]	4-1/16" [103 mm]	10-1/8" [257 mm]	2" [51 mm]	1-3/4" [44 mm]	2-3/8" [60 mm]	Top/Bottom
PC32STM-W	16" [406 mm]	20-7/8" [530 mm]	4-1/8" [105 mm]	12-1/16" [306 mm]	2" [51 mm]	1-3/4" [44 mm]	2-3/8" [60 mm]	Top/Bottom
PC24STM-FN	12" [305 mm]	15-3/16" [386 mm]	2-7/16" [62 mm]	10" [254 mm]	2" [51 mm]	1-3/4" [44 mm]	2-3/8" [60 mm]	Top/Bottom
PC28STM-FN	14" [356 mm]	18-13/16" [478 mm]	4-1/16" [103 mm]	10-1/8" [257 mm]	2" [51 mm]	1-3/4" [44 mm]	2-3/8" [60 mm]	Top/Bottom
PC32STM-FN	16" [406 mm]	20-7/8" [530 mm]	4-1/8" [105 mm]	12-1/16" [306 mm]	2" [51 mm]	1-3/4" [44 mm]	2-3/8" [60 mm]	Top/Bottom
POLYMER Kidney-Shaped Lazy Susans								
PKN18ST-W	9" [229 mm]	11-7/16" [291 mm]	1-11/16" [43 mm]	7-5/8" [194 mm]	1-3/4" [44 mm]	1" [25 mm]	1/2" – 1-5/16" [13 – 33 mm]	Top/Bottom
PKN24ST-W	12" [305 mm]	15-1/8" [384 mm]	2-3/8" [60 mm]	10" [254 mm]	1-3/4" [44 mm]	1" [25 mm]	1/2" – 1-5/16" [13 – 33 mm]	Top/Bottom
PKN28ST-W	14" [356 mm]	18-9/16" [471 mm]	3-13/16" [97 mm]	10-1/4" [260 mm]	1-3/4" [44 mm]	1" [25 mm]	1/2" – 1-5/16" [13 – 33 mm]	Top/Bottom
PKN32ST-W	16" [406 mm]	21-15/16" [557 mm]	5-3/16" [132 mm]	10-1/2" [267 mm]	1-3/4" [44 mm]	1" [25 mm]	1/2" – 1-5/16" [13 – 33 mm]	Top/Bottom

FULL-ROUND LAZY SUSANS

A minimum 3/4" side clearance is recommended between Full-Round Lazy Susan shelves and all adjacent interior surfaces (cabinet, wall, etc.).



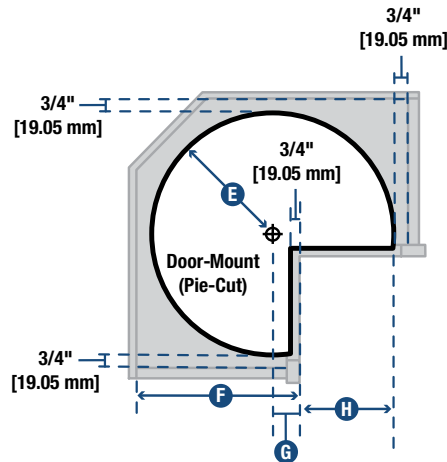
Dimensions shown are recommended minimum cabinet dimensions and clearances.

Cabinet and Shelf Lip Dimensions

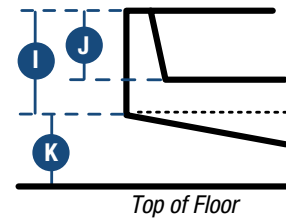
Stock #	E	F	G	H	I	J	K	Mounting
POLYMER Door Mount / Pie-Cut Lazy Susans								
PPN24S-W	12" [305 mm]	15-1/8" [384 mm]	2-3/8" [60 mm]	10" [254 mm]	1-3/4" [44 mm]	1" [25 mm]	1-1/16 – 1-7/8" [27 – 47 mm]	Top/Bottom
PPN28S-W	14" [356 mm]	18-9/16" [471 mm]	3-13/16" [97 mm]	10-1/4" [260 mm]	1-3/4" [44 mm]	1" [25 mm]	1-1/16 – 1-7/8" [27 – 47 mm]	Top/Bottom

- E** = Radius
- F** = Min. Cabinet Depth
- G** = Center of Rotation
- H** = Min. Cabinet Opening

1/4" Gap Between Face Frame and Door



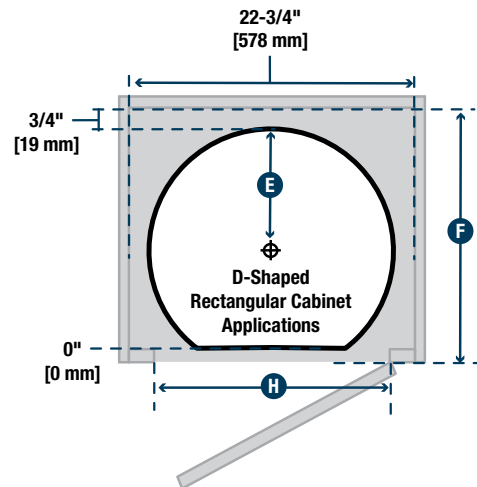
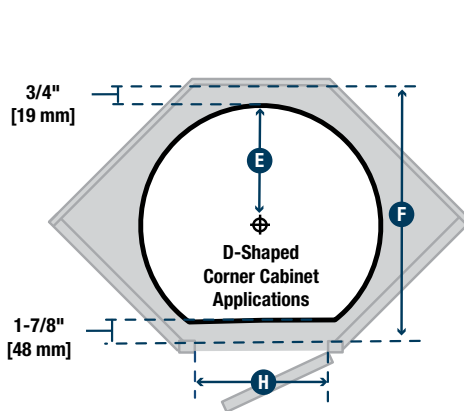
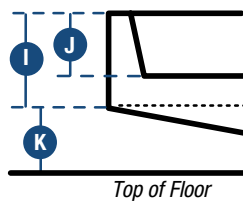
POLYMER Shelf Lip



Stock #	E	F	G	H	I	J	K	Mounting
POLYMER D-Shaped Lazy Susans / CORNER Application Dimensions								
PDN22ST-W	11" [279 mm]	20-13/16" [529 mm]	11" [279 mm]	14" [356 mm]	1-3/4" [44 mm]	1" [25 mm]	1/2 – 1-5/16" [13 – 33 mm]	Top/Bottom
PDN22S5T-W	11" [279 mm]	20-13/16" [529 mm]	11" [279 mm]	14" [356 mm]	1-3/4" [44 mm]	1" [25 mm]	1/2 – 1-5/16" [13 – 33 mm]	Top/Bottom
POLYMER D-Shaped Lazy Susans / RECTANGULAR Application Dimensions								
PDN22ST-W	11" [279 mm]	19-15/16" [506 mm]	11" [279 mm]	17-5/8" [448 mm]	1-3/4" [44 mm]	1" [25 mm]	1/2 – 1-5/16" [13 – 33 mm]	Top/Bottom
PDN22S5T-W	11" [279 mm]	19-15/16" [506 mm]	11" [279 mm]	17-5/8" [448 mm]	1-3/4" [44 mm]	1" [25 mm]	1/2 – 1-5/16" [13 – 33 mm]	Top/Bottom

- E** = Radius
- F** = Min. Cabinet Depth
- G** = Center of Rotation
- H** = Min. Cabinet Opening

POLYMER Shelf Lip



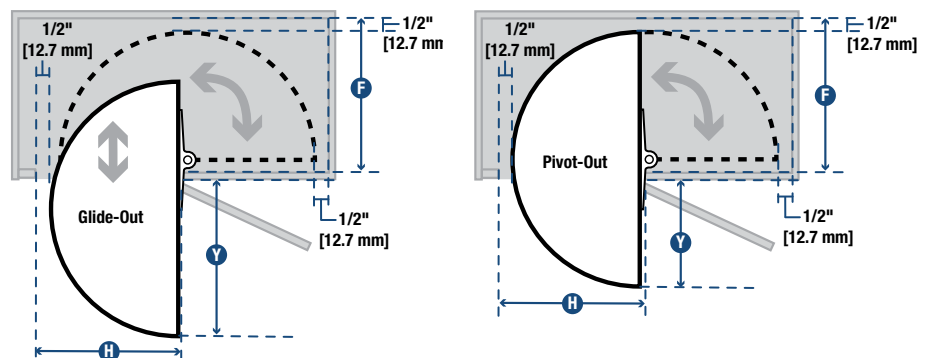
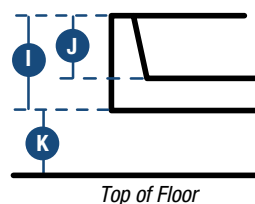
Dimensions shown are recommended minimum cabinet dimensions and clearances.

Cabinet and Shelf Lip Dimensions

Stock #	F	H	I	J	K	Y	Mounting
WIRE Half-Moon Lazy Susans							
HM25-W	13-1/2" [343 mm]	12-3/8" [314 mm]	2" [51 mm]	1-3/4" [44 mm]	1-3/4" [44 mm]	10-7/8" [276 mm]	Side Bracket
HM28-W	14-15/16" [379 mm]	13-7/8" [352 mm]	2" [51 mm]	1-3/4" [44 mm]	1-3/4" [44 mm]	12-5/16" [313 mm]	Side Bracket
HM30-W	15-15/16" [405 mm]	14-3/4" [375 mm]	2" [51 mm]	1-3/4" [44 mm]	1-3/4" [44 mm]	13-5/16" [338 mm]	Side Bracket
HM34-W	17-15/16" [456 mm]	16-7/8" [429 mm]	2" [51 mm]	1-3/4" [44 mm]	1-3/4" [44 mm]	15-5/16" [389 mm]	Side Bracket
HM25-FN	13-1/2" [343 mm]	12-3/8" [314 mm]	2" [51 mm]	1-3/4" [44 mm]	1-3/4" [44 mm]	10-7/8" [276 mm]	Side Bracket
HM28-FN	14-15/16" [379 mm]	13-7/8" [352 mm]	2" [51 mm]	1-3/4" [44 mm]	1-3/4" [44 mm]	12-5/16" [313 mm]	Side Bracket
HM34-FN	17-15/16" [456 mm]	16-7/8" [429 mm]	2" [51 mm]	1-3/4" [44 mm]	1-3/4" [44 mm]	15-5/16" [389 mm]	Side Bracket
HM25G-W	13-5/8" [346 mm]	13-3/8" [340 mm]	2" [51 mm]	1-3/4" [44 mm]	2-1/2" [64 mm]	27-3/4" [705 mm]	Side Bracket
HM28G-W	15-1/8" [384 mm]	14-3/4" [375 mm]	2" [51 mm]	1-3/4" [44 mm]	2-1/2" [64 mm]	29-3/16" [741 mm]	Side Bracket
HM34G-W	18-1/8" [460 mm]	17-3/4" [451 mm]	2" [51 mm]	1-3/4" [44 mm]	2-1/2" [64 mm]	32-3/16" [818 mm]	Side Bracket
HM25G-FN	13-5/8" [346 mm]	13-3/8" [340 mm]	2" [51 mm]	1-3/4" [44 mm]	2-1/2" [64 mm]	27-3/4" [705 mm]	Side Bracket
HM28G-FN	15-1/8" [384 mm]	14-3/4" [375 mm]	2" [51 mm]	1-3/4" [44 mm]	2-1/2" [64 mm]	29-3/16" [741 mm]	Side Bracket
HM34G-FN	18-1/8" [460 mm]	17-3/4" [451 mm]	2" [51 mm]	1-3/4" [44 mm]	2-1/2" [64 mm]	32-3/16" [818 mm]	Side Bracket
HM28G-P	15-1/8" [384 mm]	13-3/8" [340 mm]	2" [51 mm]	1-3/4" [44 mm]	2-1/2" [64 mm]	29-3/16" [741 mm]	Side Bracket
POLYMER Half-Moon Lazy Susans							
PHM28PP-W	16-1/4" [413 mm]	13-3/4" [349 mm]	2-1/2" [64 mm]	1-1/2" [38 mm]	2" [51 mm]	11-1/2" [292 mm]	Side/Bottom
PHM28PG-W	16-1/4" [413 mm]	13-3/4" [349 mm]	2-1/2" [64 mm]	1-1/2" [38 mm]	2-11/16" [68 mm]	23-1/4" [591 mm]	Side/Bottom
PHM34PG-W	19-1/4" [489 mm]	16-3/4" [425 mm]	2-1/2" [64 mm]	1-1/2" [38 mm]	2-11/16" [68 mm]	26-1/4" [667 mm]	Side/Bottom
PHM40PG-W	22-1/4" [565 mm]	19-3/4" [502 mm]	2-1/2" [64 mm]	1-1/2" [38 mm]	2-11/16" [68 mm]	29-1/4" [743 mm]	Side/Bottom
PHM28GG-W	16-1/4" [413 mm]	13-3/4" [349 mm]	2-1/2" [64 mm]	1-1/2" [38 mm]	2-11/16" [68 mm]	23-1/4" [591 mm]	Side/Bottom
PHM34GG-W	19-1/4" [489 mm]	16-3/4" [425 mm]	2-1/2" [64 mm]	1-1/2" [38 mm]	2-11/16" [68 mm]	26-1/4" [677 mm]	Side/Bottom
PHM40GG-W	22-1/4" [565 mm]	19-3/4" [502 mm]	2-1/2" [64 mm]	1-1/2" [38 mm]	2-11/16" [68 mm]	29-1/4" [743 mm]	Side/Bottom

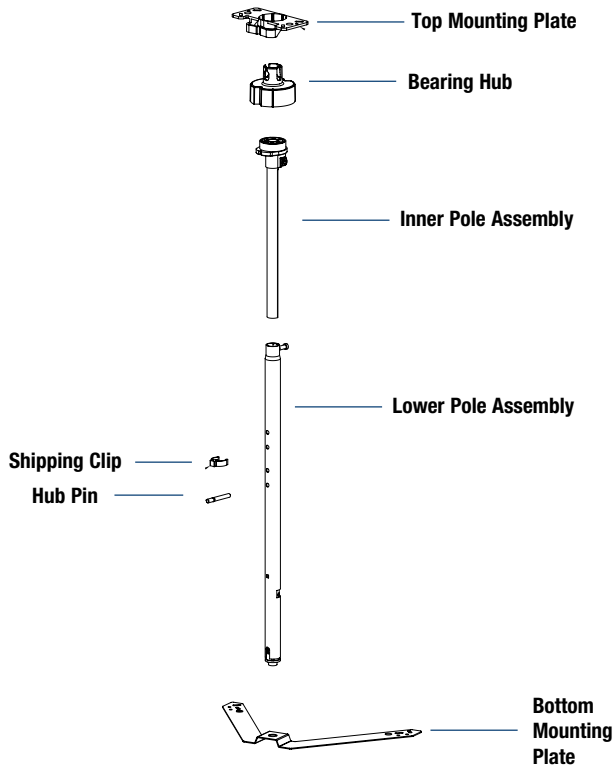
- F** = Min. Cabinet Depth
- H** = Min. Cabinet Opening

WIRE & POLYMER Shelf Lip

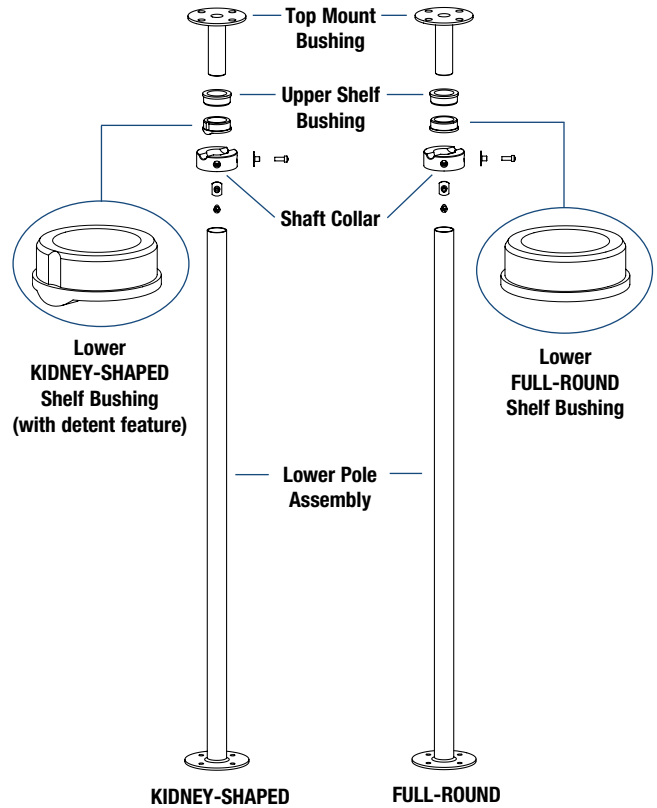


Lazy Susan Post Diagrams

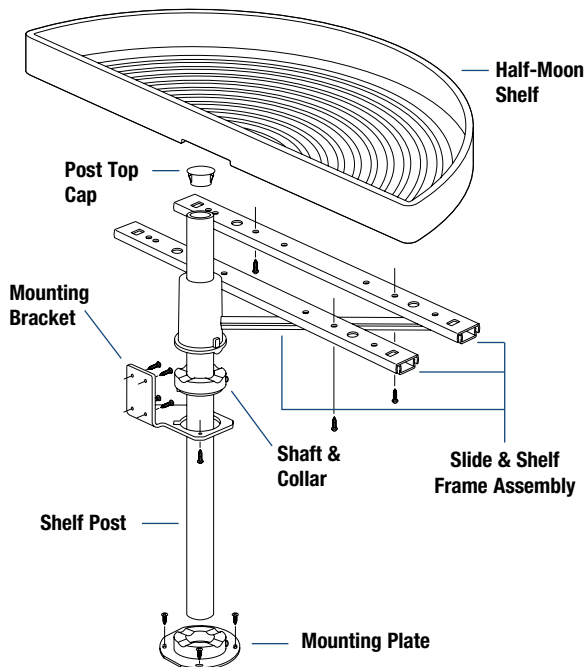
For POLYMER Door-Mount/Pie-Cut Lazy Susans



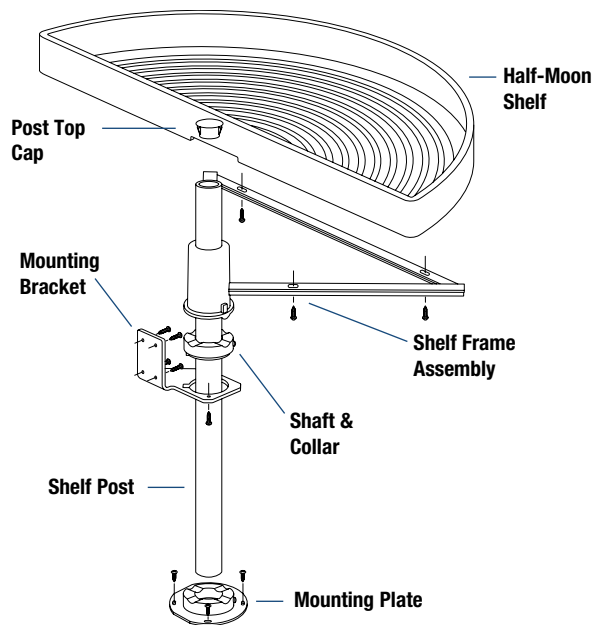
For WIRE Full-Round/Kidney-Shaped Lazy Susans



For POLYMER Half-Moon Glide-Out Lazy Susan Shelves



For POLYMER Pivot-Out Glide-Out Lazy Susan Shelves

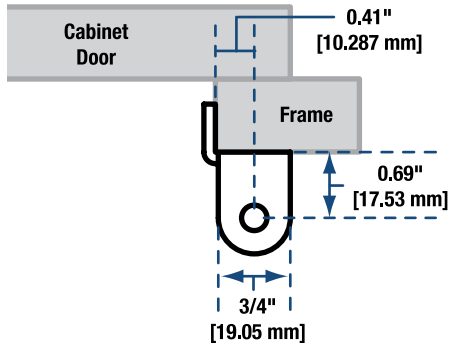


For illustration purposes diagrams on this page are shown with one shelf. See individual product pages for more information.

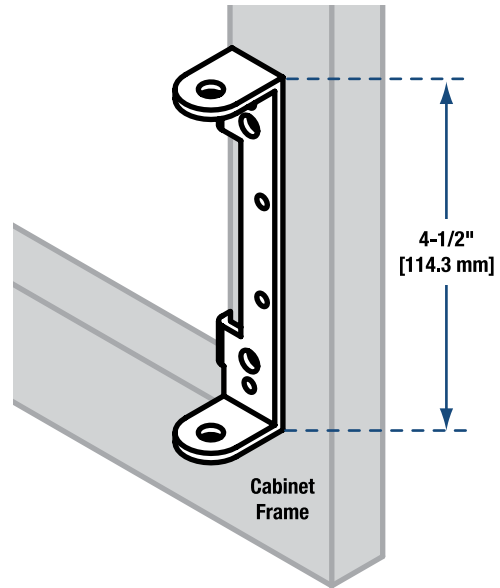
Lazy Susan Post Diagrams

WIRE HALF MOON HINGE BRACKETS

Top View - For all Wire Half Moon Susans

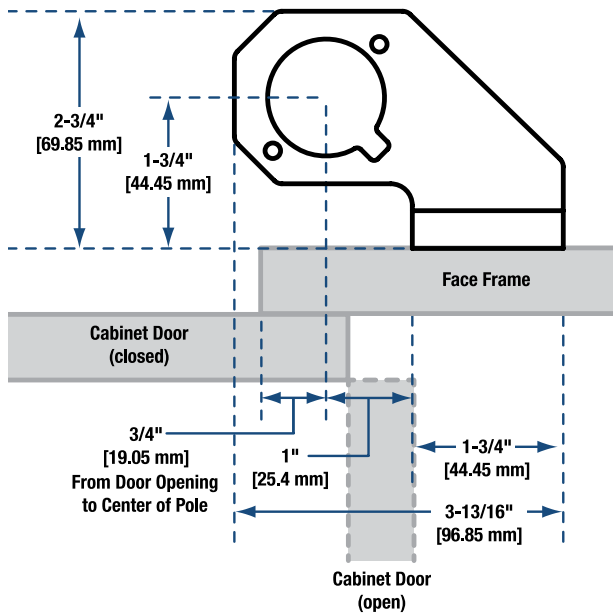


Side View - For all Wire Half Moon Susans



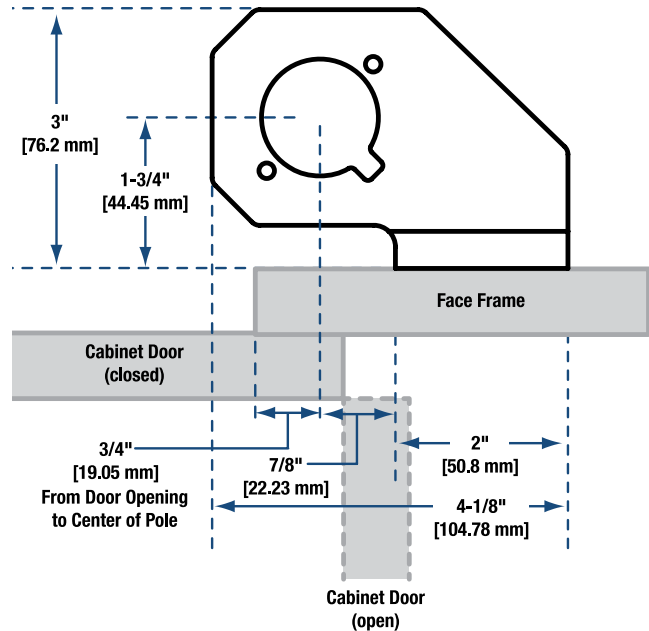
POLYMER HALF MOON HINGE BRACKETS

For PHM28 and PHM34 Part Numbers



NOTE: For frameless cabinet applications, move bracket 1-1/4" [31.75 mm] toward cabinet opening.

For PHM40 Part Numbers



NOTE: For frameless cabinet applications, move bracket 1-1/4" [31.75 mm] toward cabinet opening.

Drawer Inserts & Sink Front Trays

- Tableware Trays36
- Utility Trays37
- Spice Trays38
- Steel Sink Front Trays39
- Polymer & Extruded Sink Front Trays41
- Scissor & Euro-Tray Hinges44
- Drawer Insert Diagrams45
- Cabinet Dimensions46







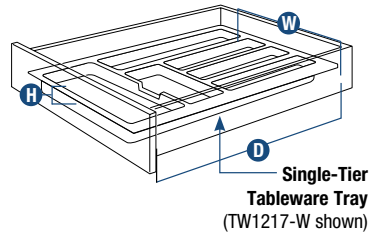
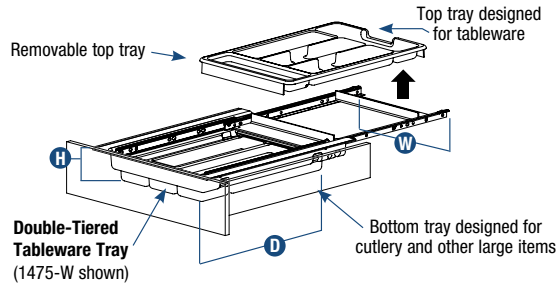
Double-Tiered Tableware Tray
(1775-W with removable top tray shown)



Single-Tiered Tableware Tray
(TW1217-W shown)

Tableware Trays

- Organizes tableware, cutlery and more into easy-access trays
- Durable, high gloss white polystyrene cleans up easily and trims to fit drawer
- Double-tiered units offer double storage capacity and come pre-assembled with epoxy-coated drawer slides



See page 45 for compartment information. See page 46 for minimum drawer dimensions.

Stock #	Height H	Width W	Depth D	Finish	Units per Carton	Weight per Carton
DOUBLE-TIERED TABLEWARE TRAYS* (WITH REMOVABLE TOP TRAY)						
1475-W	3-1/2" [89 mm]**	12-1/4" [311 mm] to 14-3/4" [375 mm]	17-1/4" [438 mm] to 19-1/4" [489 mm]	White	1	4.7 lbs. [2.1 kg.]
1775-W	3-1/2" [89 mm]**	15-1/4" [387 mm] to 17-3/4" [451 mm]	17-1/4" [438 mm] to 19-1/4" [489 mm]	White	1	5.4 lbs. [2.4 kg.]
2075-W	3-1/2" [89 mm]**	18-1/4" [464 mm] to 20-3/4" [527 mm]	17-1/4" [438 mm] to 19-1/4" [489 mm]	White	1	6.1 lbs. [2.8 kg.]
SINGLE-TIERED TABLEWARE TRAYS						
TW850-W	2-3/16" [56 mm]	8-3/4" [222 mm] to 11-3/4" [298 mm]	17-5/16" [440 mm] to 21" [533 mm]	White	10	8.9 lbs. [4.0 kg.]
TW1217-W	2-1/8" [54 mm]	12-3/8" [314 mm] to 14-11/16" [373 mm]	17-5/16" [440 mm] to 21" [533 mm]	White	10	10.7 lbs. [4.9 kg.]
TW1517-W	2-1/8" [54 mm]	15-5/16" [389 mm] to 17-11/16" [449 mm]	17-5/16" [440 mm] to 21" [533 mm]	White	10	12.9 lbs. [5.9 kg.]
TW1817-W	2-1/8" [54 mm]	18-3/8" [467 mm] to 21-1/8" [537 mm]	17-3/8" [441 mm] to 21" [533 mm]	White	10	15.4 lbs. [7.0 kg.]
TW850-1-W	2-3/16" [56 mm]	8-3/4" [222 mm] to 11-3/4" [298 mm]	17-5/16" [440 mm] to 21" [533 mm]	White	1	1.2 lbs. [0.5 kg.]
TW1217-1-W	2-1/8" [54 mm]	12-3/8" [314 mm] to 14-11/16" [373 mm]	17-5/16" [440 mm] to 21" [533 mm]	White	1	2.3 lbs. [1.0 kg.]
TW1517-1-W	2-1/8" [54 mm]	15-5/16" [389 mm] to 17-11/16" [449 mm]	17-5/16" [440 mm] to 21" [533 mm]	White	1	2.8 lbs. [1.3 kg.]
TW1817-1-W	2-1/8" [54 mm]	18-3/8" [467 mm] to 21-1/8" [537 mm]	17-3/8" [441 mm] to 21" [533 mm]	White	1	3.0 lbs. [1.4 kg.]

*Rear of cabinet drawer needs to be notch cut to allow top tray of Double-Tiered Tableware Trays to slide back.

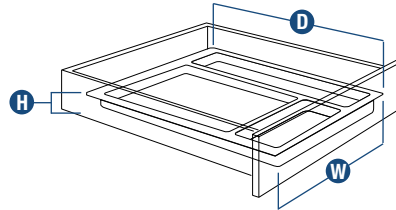
**Height includes top and bottom tray.

Utility Trays

- Multipurpose Utility Trays neatly organize kitchen utensils, craft supplies, tools and more
- Cosmetic Tray organizes cosmetics and small items into 5 easy-to-access rows and compartments
- Durable, high gloss white polystyrene cleans up easily and can be cut to fit



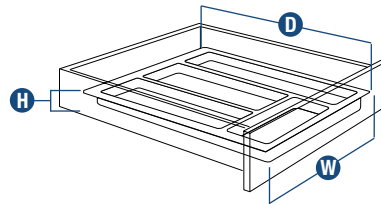
Multipurpose Utility Tray
(UT1217-W shown)



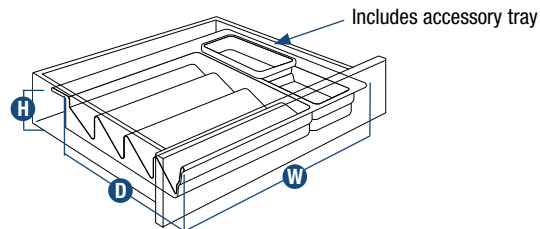
UT1217-W



Cosmetic Tray
(COS2075-W shown)



UT1517-W & UT1817-W



COS2075-W

Stock #	Height H	Width W	Depth D	Finish	Units per Carton	Weight per Carton
MULTI-PURPOSE UTILITY TRAYS						
UT1217-W	2-3/16" [56 mm]	12-3/8" [314 mm] to 14-3/4" [375 mm]	17-3/8" [441 mm] to 21" [533 mm]	White	10	11.2 lbs. [5.1 kg.]
UT1517-W	2-3/16" [56 mm]	15-5/16" [389 mm] to 17-3/4" [451 mm]	17-5/16" [440 mm] to 21" [533 mm]	White	10	12.7 lbs. [5.8 kg.]
UT1817-W	2-3/16" [56 mm]	18-3/8" [467 mm] to 21-1/8" [537 mm]	17-5/16" [440 mm] to 21" [533 mm]	White	10	14.2 lbs. [6.4 kg.]
COSMETIC TRAY						
COS2075-W	2-7/8" [73 mm]	5" [127 mm] to 21-1/2" [546 mm]	16-1/4" [413 mm] to 21" [533 mm]	White	1	2.5 lbs. [1.1 kg.]

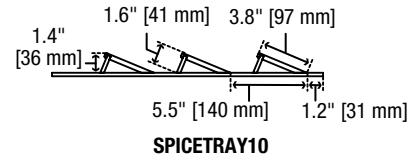
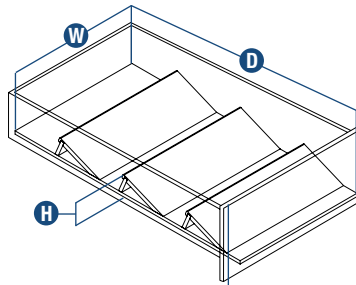
See page 45 for compartment information. See page 46 for minimum drawer dimensions.

Spice Trays

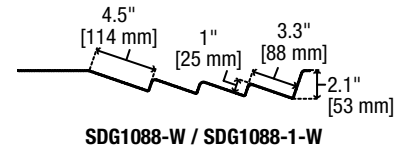
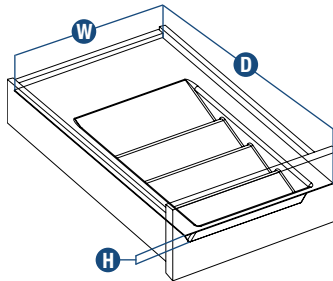
- Organizes spices or small items into four neat rows
- Birch veneer finish on Wood Spice Trays complements most interior wood drawer finishes
- Durable, high gloss white Polymer Spice Trays clean up easily and can be cut to fit



Wood Spice Tray
(SPICETRAY10)



Polymer Spice Tray
(SDG-1088-1-W)

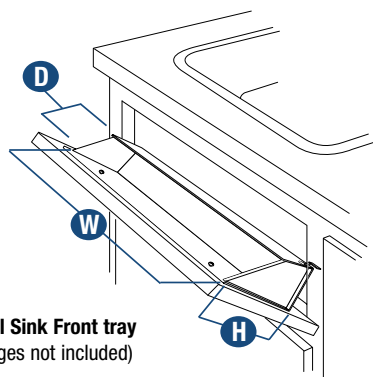


See page 46 for minimum drawer dimensions.

Stock #	Height H	Width W	Depth D	Finish	Units per Carton	Weight per Carton
WOOD SPICE TRAYS						
SPICETRAY10	1-13/16" [46 mm]	10-1/8" [257 mm]	19-1/2" [495 mm]	Birch Veneer	1	2.8 lbs. [1.3 kg.]
SPICETRAY13	1-13/16" [46 mm]	13-1/8" [333 mm]	19-1/2" [495 mm]	Birch Veneer	1	3.8 lbs. [1.7 kg.]
SPICETRAY16	1-13/16" [46 mm]	16-1/8" [410 mm]	19-1/2" [495 mm]	Birch Veneer	1	4.2 lbs. [1.9 kg.]
SPICETRAY19	1-13/16" [46 mm]	19-1/8" [486 mm]	19-1/2" [495 mm]	Birch Veneer	1	5.1 lbs. [2.3 kg.]
POLYMER SPICE TRAYS						
SDG1088-1-W	2" [51 mm]	12-1/8" [308 mm] to 14-3/4" [375 mm]	16-1/4" [413 mm] to 21" [533 mm]	White	1	1.9 lbs. [0.9 kg.]
SDG1088-W	2" [51 mm]	12-1/8" [308 mm] to 14-3/4" [375 mm]	16-1/4" [413 mm] to 21" [533 mm]	White	10	8.6 lbs. [3.9 kg.]

Steel Sink Front Trays

- 2" deep tray
- Designed for use with Scissor or Euro-Tray Hinges (Sold separately. See page 44.)
- White trays feature durable epoxy-coated finish
- For use with face frame or frameless (Euro-Style) cabinetry



ESF10-W
(Hinges not included)

Stock #	Height H	Width W	Depth D	Finish	Units per Carton	Weight per Carton
STEEL SINK FRONT TRAYS (WITHOUT STOPS)						
SF10	3" [76 mm]	10-1/16" [256 mm]	2" [51 mm]	Stainless Steel	10	4.7 lbs. [2.1 kg.]
SF11	3" [76 mm]	11-5/16" [287 mm]	2" [51 mm]	Stainless Steel	10	4.9 lbs. [2.2 kg.]
SF13	3" [76 mm]	13-1/16" [332 mm]	2" [51 mm]	Stainless Steel	10	5.6 lbs. [2.5 kg.]
SF14	3" [76 mm]	14" [356 mm]	2" [51 mm]	Stainless Steel	10	6.7 lbs. [3.0 kg.]
SF16	3" [76 mm]	16-1/16" [408 mm]	2" [51 mm]	Stainless Steel	10	7.1 lbs. [3.2 kg.]
SF19	3" [76 mm]	19-1/16" [484 mm]	2" [51 mm]	Stainless Steel	10	7.6 lbs. [3.4 kg.]
SF22	3" [76 mm]	22-1/16" [560 mm]	2" [51 mm]	Stainless Steel	10	8.9 lbs. [4.0 kg.]
SF25	3" [76 mm]	25-1/16" [637 mm]	2" [51 mm]	Stainless Steel	10	9.4 lbs. [4.2 kg.]
SF28	3" [76 mm]	28-1/16" [713 mm]	2" [51 mm]	Stainless Steel	10	10.4 lbs. [4.7 kg.]
SF31	3" [76 mm]	31-1/16" [789 mm]	2" [51 mm]	Stainless Steel	10	11.2 lbs. [5.0 kg.]
ESF10-W	3" [76 mm]	10-1/16" [256 mm]	2" [51 mm]	White	10	5.2 lbs. [2.4 kg.]
ESF13-W	3" [76 mm]	13-1/16" [332 mm]	2" [51 mm]	White	10	6.4 lbs. [2.9 kg.]
ESF14-W	3" [76 mm]	14" [356 mm]	2" [51 mm]	White	10	6.9 lbs. [3.2 kg.]
ESF16-W	3" [76 mm]	16-1/16" [408 mm]	2" [51 mm]	White	10	7.6 lbs. [3.4 kg.]
ESF19-W	3" [76 mm]	19-1/16" [484 mm]	2" [51 mm]	White	10	9.1 lbs. [4.1 kg.]
ESF22-W	3" [76 mm]	22-1/16" [560 mm]	2" [51 mm]	White	10	10.5 lbs. [4.8 kg.]
ESF25-W	3" [76 mm]	25-1/16" [637 mm]	2" [51 mm]	White	10	12 lbs. [5.4 kg.]
ESF28-W	3" [76 mm]	28-1/16" [713 mm]	2" [51 mm]	White	10	13 lbs. [5.9 kg.]
ESF31-W	3" [76 mm]	31-1/16" [789 mm]	2" [51 mm]	White	10	14.7 lbs. [6.7 kg.]

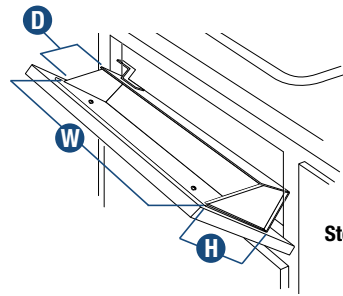
Uses two - #8 x 1/2 screws (not included).

See page 46 for minimum door dimensions.



Steel Sink Front Trays (with stops)

- 1-5/8" built-in stop prevents items from tipping out
- Designed for use with standard self-closing hinges (not included) used on most cabinetry
- White trays feature durable epoxy-coated finish
- For use with face frame or frameless (Euro-Style) cabinetry



ESF10W-W

Stock #	Height H	Width W	Depth D	Finish	Units per Carton	Weight per Carton
STEEL SINK FRONT TRAYS (WITH STOPS)						
SF10W	3" [76 mm]	11-5/8" [295 mm]	3" [76 mm]	Stainless Steel	10	5 lbs. [2.3 kg.]
SF11W	3" [76 mm]	12-7/8" [327 mm]	3" [76 mm]	Stainless Steel	10	5.4 lbs. [2.4 kg.]
SF13W	3" [76 mm]	14-5/8" [371 mm]	3" [76 mm]	Stainless Steel	10	5.8 lbs. [2.6 kg.]
SF14W	3" [76 mm]	15-9/16" [395 mm]	3" [76 mm]	Stainless Steel	10	6.0 lbs. [2.7 kg.]
SF16W	3" [76 mm]	17-5/8" [448 mm]	3" [76 mm]	Stainless Steel	10	6.9 lbs. [3.1 kg.]
SF19W	3" [76 mm]	20-5/8" [524 mm]	3" [76 mm]	Stainless Steel	10	7.6 lbs. [3.4 kg.]
SF22W	3" [76 mm]	23-5/8" [600 mm]	3" [76 mm]	Stainless Steel	10	9.1 lbs. [4.1 kg.]
SF25W	3" [76 mm]	26-5/8" [676 mm]	3" [76 mm]	Stainless Steel	10	11.8 lbs. [5.4 kg.]
SF28W	3" [76 mm]	29-5/8" [752 mm]	3" [76 mm]	Stainless Steel	10	13.9 lbs. [6.3 kg.]
SF31W	3" [76 mm]	32-5/8" [829 mm]	3" [76 mm]	Stainless Steel	10	14.5 lbs. [6.6 kg.]
ESF10W-W	3" [76 mm]	11-5/8" [295 mm]	3" [76 mm]	White	10	6.2 lbs. [2.8 kg.]
ESF11W-W	3" [76 mm]	12-7/8" [327 mm]	3" [76 mm]	White	10	6.6 lbs. [3.0 kg.]
ESF13W-W	3" [76 mm]	14-5/8" [371 mm]	3" [76 mm]	White	10	7.2 lbs. [3.3 kg.]
ESF14W-W	3" [76 mm]	15-9/16" [395 mm]	3" [76 mm]	White	10	7.8 lbs. [3.5 kg.]
ESF16W-W	3" [76 mm]	17-5/8" [448 mm]	3" [76 mm]	White	10	8.2 lbs. [3.7 kg.]
ESF19W-W	3" [76 mm]	20-5/8" [524 mm]	3" [76 mm]	White	10	9.6 lbs. [4.4 kg.]
ESF22W-W	3" [76 mm]	23-5/8" [600 mm]	3" [76 mm]	White	10	11.1 lbs. [5 kg.]
ESF25W-W	3" [76 mm]	26-5/8" [676 mm]	3" [76 mm]	White	10	11.8 lbs. [5.4 kg.]
ESF28W-W	3" [76 mm]	29-5/8" [752 mm]	3" [76 mm]	White	10	13.9 lbs. [6.3 kg.]
ESF31W-W	3" [76 mm]	32-5/8" [829 mm]	3" [76 mm]	White	10	15 lbs. [6.8 kg.]

See page 46 for minimum door dimensions.

Uses two - #8 x 1/2 screws (not included).

Polymer Sink Front Trays

- 1-5/8" deep tray is ideal for solid surface countertops with large deep sink applications
- Designed for use with Scissor or Euro-Tray Hinges (Sold separately. See page 44.)
- For use with face frame or frameless (Euro-Style) cabinetry



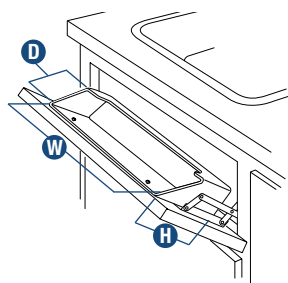
PSF11-W
(Without ring holder)
(Hinges not included)



PSF11RS-A
(Includes ring holder. Hinges not included)



PSF11RS-W
(Includes ring holder)
(Hinges not included)



Polymer Sink Front Tray

Stock #	Height H	Width W	Depth D	Finish	Ring holder	Units per Carton	Weight per Carton
POLYMER SINK FRONT TRAYS							
PSF8.62-W	3" [76 mm]	8-5/8" [219 mm]	2" [51 mm]	White	No	10	2.9 lbs. [1.3 kg.]
PSF11-PF-W	3" [76 mm]	11" [279 mm]	1-5/8" [41 mm]	White	No	10	3.3 lbs. [1.5 kg.]
PSF11-W	3" [76 mm]	11" [279 mm]	2" [51 mm]	White	No	10	3 lbs. [1.4 kg.]
PSF11RS-W	3" [76 mm]	11" [279 mm]	2" [51 mm]	White	Yes	10	3.1 lbs. [1.4 kg.]
PSF14-PF-W	3" [76 mm]	14" [356 mm]	1-5/8" [41 mm]	White	No	10	3.6 lbs. [1.6 kg.]
PSF14-W	3" [76 mm]	14" [356 mm]	2" [51 mm]	White	No	10	3.5 lbs. [1.5 kg.]
PSF14RS-W	3" [76 mm]	14" [356 mm]	2" [51 mm]	White	Yes	10	3.6 lbs. [1.6 kg.]
PSF2425-W	3" [76 mm]	24-3/8" [619 mm]	2" [51 mm]	White	No	10	6.2 lbs. [2.8 kg.]
PSF3025-W	3" [76 mm]	30-7/16" [773 mm]	2" [51 mm]	White	No	10	7.2 lbs. [3.3 kg.]
PSF11-A	3" [76 mm]	11" [279 mm]	2" [51 mm]	Almond	No	10	3.0 lbs. [1.3 kg.]
PSF11RS-A	3" [76 mm]	11" [279 mm]	2" [51 mm]	Almond	Yes	10	3.1 lbs. [1.4 kg.]
PSF14-PF-A	3" [76 mm]	14" [356 mm]	1-5/8" [41 mm]	Almond	No	10	3.6 lbs. [1.6 kg.]
PSF14-A	3" [76 mm]	14" [356 mm]	2" [51 mm]	Almond	No	10	3.5 lbs. [1.5 kg.]
PSF14RS-A	3" [76 mm]	14" [356 mm]	2" [51 mm]	Almond	Yes	10	3.6 lbs. [1.6 kg.]
PSF2425-A	3" [76 mm]	24-3/8" [619 mm]	2" [51 mm]	Almond	No	10	6.2 lbs. [2.8 kg.]
PSF3025-A	3" [76 mm]	30-7/16" [773 mm]	2" [51 mm]	Almond	No	10	7.2 lbs. [3.3 kg.]

Uses two - #8 x 1/2 screws (not included).

See page 47 for minimum door dimensions.

Polymer Sink Front Trays & Hinge Kits

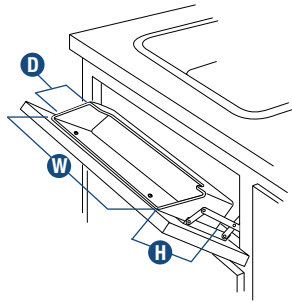
- 1-5/8" deep tray is ideal for solid surface countertops with large deep sink applications
- For use with face frame or frameless (Euro-Style) cabinetry
- Two trays, two pairs of Scissor Hinges (SH-1) with hardware and instructions included



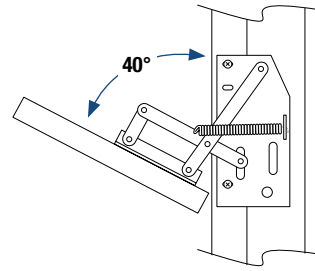
PSF14SH-2-W
(Hinges included)



PSF11SH-2-W
(Hinges included)



Polymer Sink Front Tray & Hinge Kit



Scissor Hinge
(SH-10)



Kits include 2 pairs of Scissor Hinges (SH-10)

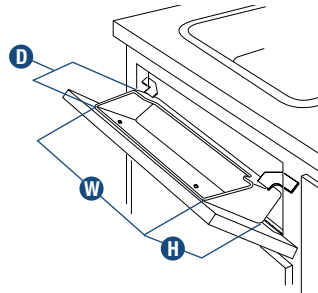
See page 47 for minimum drawer dimensions.

Stock #	Height H	Width W	Depth D	Finish	Kits per Carton	Weight per Carton
POLYMER SINK FRONT TRAYS & HINGE KITS						
PSF8.62SH-2-W	3" [76 mm]	8-5/8" [219 mm]	2" [51 mm]	White	10	1.1 lbs. [0.5 kg.]
PSF11-PF-SH-2-W	3" [76 mm]	11" [279 mm]	1-5/8" [41 mm]	White	10	1.6 lbs. [0.7 kg.]
PSF11SH-2-W	3" [76 mm]	11" [279 mm]	2" [51 mm]	White	40	1.8 lbs. [0.8 kg.]
PSF14-PF-SH-2-W	3" [76 mm]	14" [356 mm]	1-5/8" [41 mm]	White	10	2.0 lbs. [0.9 kg.]
PSF14SH-2-W	3" [76 mm]	14" [356 mm]	2" [51 mm]	White	21	2.2 lbs. [1.0 kg.]



Polymer Sink Front Trays (with stops)

- Designed for use with standard self-closing hinges (not included) used on most cabinetry
- For use with face frame or frameless (Euro-Style) cabinetry
- Built-in stops prevent items from tipping out



**Polymer Sink Front Tray
with Stops**

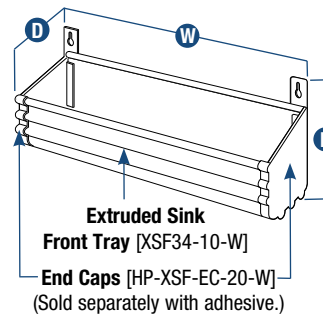


PSF14W-A



Extruded Sink Front Trays

- Extruded Sink Front Tray (cut-to-fit 34" or 72" widths)
- For face frame or frameless (Euro-Style) cabinetry
- Use with Scissor or Euro-Tray Hinges (see page 44)
- Easy-to-clean, durable white PVC



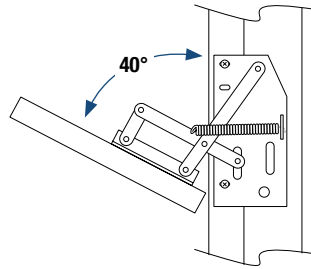
**Extruded Sink
Front Tray [XSF34-10-W]
End Caps [HP-XSF-EC-20-W]
(Sold separately with adhesive.)**

Stock #	Height H	Width W	Depth D	Finish	Units per Carton	Weight per Carton
POLYMER SINK FRONT TRAY WITH STOPS*						
PSF11W-W	3" [76 mm]	12-3/8" [314 mm]	2-3/4" [70 mm]	White	10	3.3 lbs. [1.5 kg.]
PSF14W-W	3" [76 mm]	15-3/8" [391 mm]	2-3/4" [70 mm]	White	10	3.6 lbs. [1.6 kg.]
PSF14W-A	3" [76 mm]	15-3/8" [391 mm]	2-3/4" [70 mm]	Almond	10	3.6 lbs. [1.6 kg.]
EXTRUDED SINK FRONT TRAYS						
XSF34-10-W	4" [102 mm]	33-3/4" [857 mm]	2-1/8" [60 mm]	White	10	6.9 lbs. [3.1 kg.]
XSF72-10-W	4" [102 mm]	72" [1,829 mm]	2-1/8" [60 mm]	White	10	15.7 lbs. [7.1 kg.]
HP-XSF-EC-20-W	4" [102 mm]	3/4" [19 mm]	2-3/8" [60 mm]	White	20 pairs	2.2 lbs. [1 kg.]

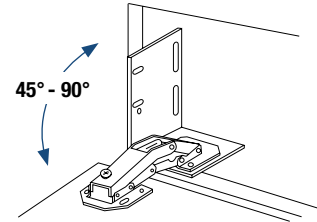
* Tray uses two - #8 x 1/2 screws (not included).

Scissor & Euro-Tray Hinges

- Scissor Hinges are spring-loaded and self-closing with internal stop
- For use with face frame or frameless (Euro-Style) cabinetry
- Mounting hardware and instructions included
- Not intended for full overlay or inset cabinet applications



Scissor Hinge
(SH-10)



Euro-Tray Hinge
(ET-H-N)

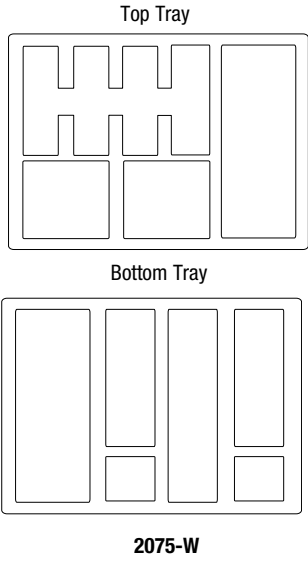
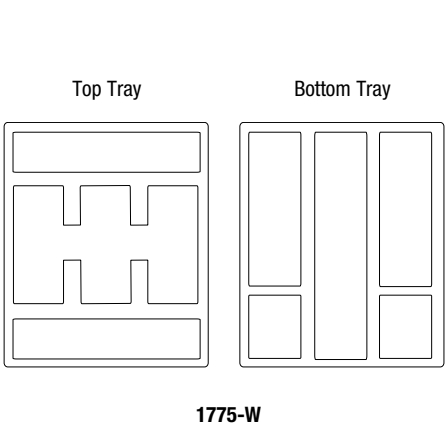
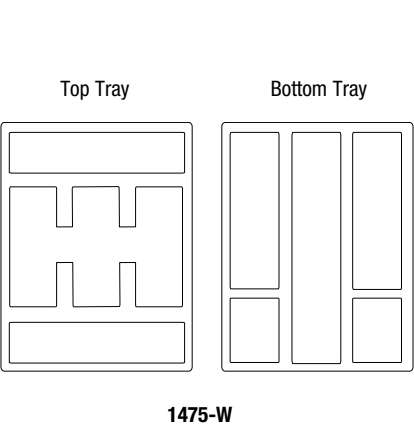


See page 47 for minimum door dimensions.

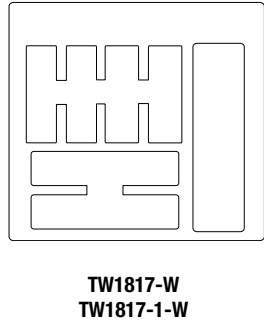
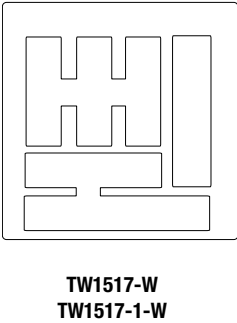
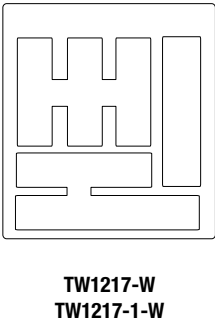
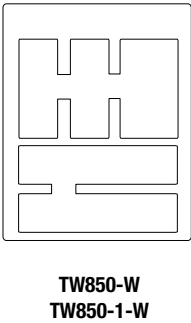
Stock #	Height	Width	Depth	Finish	Units per Carton	Weight per Carton
SCISSOR HINGES						
SH-1-S/P	3-13/16" [97 mm]	2-7/8" [73 mm]	1-7/8" [48 mm]	Nickel-Plated	1 pair	1 lbs. [0.5 kg.]
SH-10	3-13/16" [97 mm]	2-7/8" [73 mm]	1-7/8" [48 mm]	Nickel-Plated	10 pair	5.1 lbs. [2.3 kg.]
SH-40	3-13/16" [97 mm]	2-7/8" [73 mm]	1-7/8" [48 mm]	Nickel-Plated	40 pair	20 lbs. [9.1 kg.]
EURO-TRAY HINGES						
ET-H-N	2-7/8" [73 mm]	3-3/4" [95 mm]	2-1/4" [57 mm]	Nickel-Plated	10 pair	6.4 lbs. [2.9 kg.]

Drawer Insert Diagrams

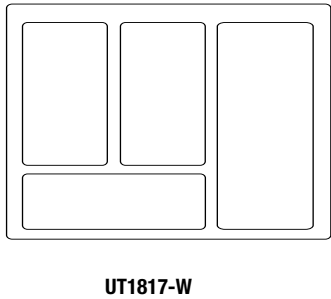
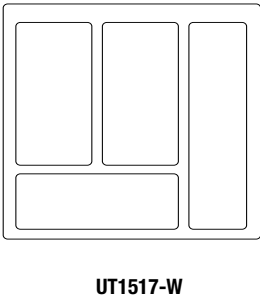
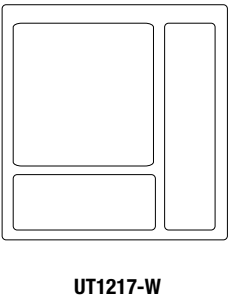
DOUBLE-TIERED TABLEWARE TRAYS



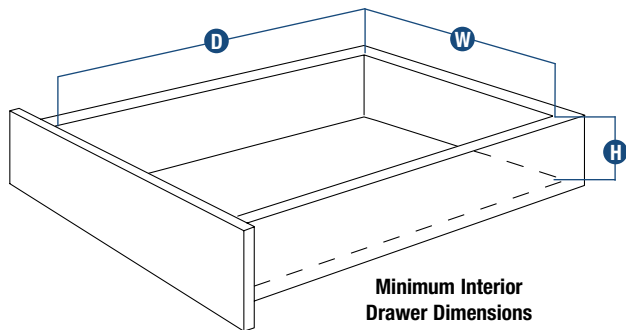
SINGLE-TIERED TABLEWARE TRAYS



MULTIPURPOSE UTILITY TRAYS



Cabinet Dimensions

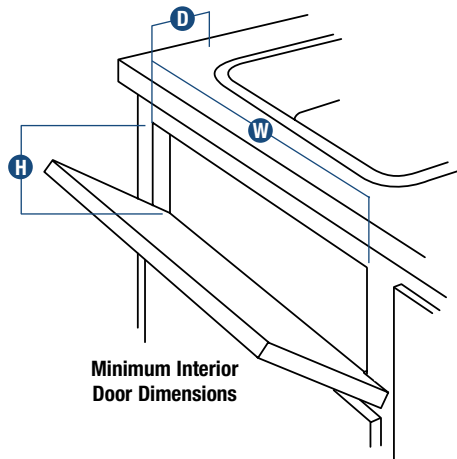


Stock #	Height H	Width W	Depth D
DOUBLE-TIERED TABLEWARE TRAYS (with removable top tray)			
1475-W	3-3/4" [95 mm]	12-1/4" [311 mm]	17-1/4" [438 mm]
1775-W	3-3/4" [95 mm]	15-1/4" [387 mm]	17-1/4" [438 mm]
2075-W	3-3/4" [95 mm]	18-1/4" [464 mm]	17-1/4" [438 mm]
SINGLE-TIERED TABLEWARE TRAYS			
TW850-W	2-7/16" [62 mm]	8-3/4" [222 mm]	17-5/16" [440 mm]
TW1217-W	2-3/8" [60 mm]	12-3/8" [314 mm]	17-5/16" [440 mm]
TW1517-W	2-3/8" [60 mm]	15-5/16" [389 mm]	17-5/16" [440 mm]
TW1817-W	2-3/8" [60 mm]	18-3/8" [467 mm]	17-3/8" [441 mm]
TW850-1-W	2-7/16" [62 mm]	8-3/4" [222 mm]	17-5/16" [440 mm]
TW1217-1-W	2-3/8" [60 mm]	12-3/8" [314 mm]	17-5/16" [440 mm]
TW1517-1-W	2-3/8" [60 mm]	15-5/16" [389 mm]	17-5/16" [440 mm]
TW1817-1-W	2-3/8" [60 mm]	18-3/8" [467 mm]	17-3/8" [441 mm]
MULTIPURPOSE UTILITY TRAYS			
UT1217-W	2-7/16" [62 mm]	12-3/8" [314 mm]	17-3/8" [441 mm]
UT1517-W	2-7/16" [62 mm]	15-5/16" [389 mm]	17-5/16" [440 mm]
UT1817-W	2-7/16" [62 mm]	18-3/8" [467 mm]	17-5/16" [440 mm]
COSMETIC DRAWER TRAYS			
COS2075-W	3-1/8" [79 mm]	5" [127 mm]	16-1/4" [413 mm]
WOOD SPICE TRAYS			
SPICETRAY10	2-1/16" [52 mm]	10-1/4" [260 mm]	19-5/8" [498 mm]
SPICETRAY13	2-1/16" [52 mm]	13-1/4" [337 mm]	19-5/8" [498 mm]
SPICETRAY16	2-1/16" [52 mm]	16-1/4" [413 mm]	19-5/8" [498 mm]
SPICETRAY19	2-1/16" [52 mm]	19-1/4" [489 mm]	19-5/8" [498 mm]
POLYMER SPICE TRAYS			
SDG1088-1-W	2-1/4" [57 mm]	12-1/8" [308 mm]	16-1/4" [413 mm]
SDG1088-W	2-1/4" [57 mm]	12-1/8" [308 mm]	16-1/4" [413 mm]

Stock #	Height H	Width W	Depth D
STEEL SINK FRONT TRAYS (without stops)			
SF10	3-1/2" [89 mm]	10-9/16" [268 mm]	2-1/2" [64 mm]
SF11	3-1/2" [89 mm]	11-13/16" [300 mm]	2-1/2" [64 mm]
SF13	3-1/2" [89 mm]	13-9/16" [344 mm]	2-1/2" [64 mm]
SF14	3-1/2" [89 mm]	14-1/2" [368 mm]	2-1/2" [64 mm]
SF16	3-1/2" [89 mm]	16-9/16" [421 mm]	2-1/2" [64 mm]
SF19	3-1/2" [89 mm]	19-9/16" [497 mm]	2-1/2" [64 mm]
SF22	3-1/2" [89 mm]	22-9/16" [573 mm]	2-1/2" [64 mm]
SF25	3-1/2" [89 mm]	25-9/16" [649 mm]	2-1/2" [64 mm]
SF28	3-1/2" [89 mm]	28-9/16" [725 mm]	2-1/2" [64 mm]
SF31	3-1/2" [89 mm]	31-9/16" [802 mm]	2-1/2" [64 mm]
ESF10-W	3-1/2" [89 mm]	10-9/16" [268 mm]	2-1/2" [64 mm]
ESF13-W	3-1/2" [89 mm]	13-9/16" [344 mm]	2-1/2" [64 mm]
ESF14-W	3-1/2" [89 mm]	14-1/2" [368 mm]	2-1/2" [64 mm]
ESF16-W	3-1/2" [89 mm]	16-9/16" [421 mm]	2-1/2" [64 mm]
ESF19-W	3-1/2" [89 mm]	19-9/16" [497 mm]	2-1/2" [64 mm]
ESF22-W	3-1/2" [89 mm]	22-9/16" [573 mm]	2-1/2" [64 mm]
ESF25-W	3-1/2" [89 mm]	25-9/16" [649 mm]	2-1/2" [64 mm]
ESF28-W	3-1/2" [89 mm]	28-9/16" [725 mm]	2-1/2" [64 mm]
ESF31-W	3-1/2" [89 mm]	31-9/16" [802 mm]	2-1/2" [64 mm]
STEEL SINK FRONT TRAYS (with stops)			
SF10W	3-1/2" [89 mm]	12-1/8" [308 mm]	3-1/2" [89 mm]
SF11W	3-1/2" [89 mm]	13-3/8" [340 mm]	3-1/2" [89 mm]
SF13W	3-1/2" [89 mm]	15-1/8" [384 mm]	3-1/2" [89 mm]
SF14W	3-1/2" [89 mm]	16-1/16" [408 mm]	3-1/2" [89 mm]
SF16W	3-1/2" [89 mm]	18-1/8" [460 mm]	3-1/2" [89 mm]
SF19W	3-1/2" [89 mm]	21-1/8" [537 mm]	3-1/2" [89 mm]
SF22W	3-1/2" [89 mm]	24-1/8" [613 mm]	3-1/2" [89 mm]
SF25W	3-1/2" [89 mm]	27-1/8" [689 mm]	3-1/2" [89 mm]
SF28W	3-1/2" [89 mm]	30-1/8" [765 mm]	3-1/2" [89 mm]
SF31W	3-1/2" [89 mm]	33-1/8" [841 mm]	3-1/2" [89 mm]
ESF10W-W	3-1/2" [89 mm]	12-1/8" [308 mm]	3-1/2" [89 mm]
ESF11W-W	3-1/2" [89 mm]	13-3/8" [340 mm]	3-1/2" [89 mm]
ESF13W-W	3-1/2" [89 mm]	15-1/8" [384 mm]	3-1/2" [89 mm]
ESF14W-W	3-1/2" [89 mm]	16-1/16" [408 mm]	3-1/2" [89 mm]
ESF16W-W	3-1/2" [89 mm]	18-1/8" [460 mm]	3-1/2" [89 mm]
ESF19W-W	3-1/2" [89 mm]	21-1/8" [537 mm]	3-1/2" [89 mm]
ESF22W-W	3-1/2" [89 mm]	24-1/8" [613 mm]	3-1/2" [89 mm]
ESF25W-W	3-1/2" [89 mm]	27-1/8" [689 mm]	3-1/2" [89 mm]
ESF28W-W	3-1/2" [89 mm]	30-1/8" [765 mm]	3-1/2" [89 mm]
ESF31W-W	3-1/2" [89 mm]	33-1/8" [841 mm]	3-1/2" [89 mm]

Dimensions shown are recommended minimum interior drawer and door opening dimensions. Minimum interior drawer dimensions allow for 1/8" clearance and 3/8" lip on all sides of drawer inserts.

Cabinet Dimensions



Stock #	Height H	Width W	Depth D
POLYMER SINK FRONT TRAYS & HINGE KITS (dimensions include hinge kits)			
PSF8.62SH-2-A	3-1/2" [89 mm]	10-1/8" [257 mm]	2-1/2" [64 mm]
PSF8.62SH-2-W	3-1/2" [89 mm]	10-1/8" [257 mm]	2-1/2" [64 mm]
PSF11-PF-SH-2-A	3-1/2" [89 mm]	12-1/2" [318 mm]	2-1/8" [54 mm]
PSF11-PF-SH-2-W	3-1/2" [89 mm]	12-1/2" [318 mm]	2-1/8" [54 mm]
PSF11SH-2-A	3-1/2" [89 mm]	12-1/2" [318 mm]	2-1/2" [64 mm]
PSF11SH-2-W	3-1/2" [89 mm]	12-1/2" [318 mm]	2-1/2" [64 mm]
PSF14-PF-SH-2-A	3-1/2" [89 mm]	15-1/2" [394 mm]	2-1/8" [54 mm]
PSF14-PF-SH-2-W	3-1/2" [89 mm]	15-1/2" [394 mm]	2-1/8" [54 mm]
PSF14SH-2-A	3-1/2" [89 mm]	15-1/2" [394 mm]	2-1/2" [64 mm]
PSF14SH-2-W	3-1/2" [89 mm]	15-1/2" [394 mm]	2-1/2" [64 mm]
POLYMER SINK FRONT TRAYS (with stops)			
PSF11W-W	3-1/2" [89 mm]	11-1/2" [292 mm]	3-1/4" [83 mm]
PSF14W-A	3-1/2" [89 mm]	14-1/2" [368 mm]	3-1/4" [83 mm]
PSF14W-W	3-1/2" [89 mm]	14-1/2" [368 mm]	3-1/4" [83 mm]
SCISSOR HINGES			
SH-1-S/P	4-1/16" [103 mm]	3-1/8" [79 mm]	2-3/8" [60 mm]
SH-10	4-1/16" [103 mm]	3-1/8" [79 mm]	2-3/8" [60 mm]
SH-40	4-1/16" [103 mm]	3-1/8" [79 mm]	2-3/8" [60 mm]
EURO-TRAY HINGES			
ET-H-N	3-1/8" [79 mm]	4" [102 mm]	2-3/4" [70 mm]

Stock #	Height H	Width W (with Scissor Hinges)	Width W (with Euro-Tray Hinges)	Depth D
POLYMER SINK FRONT TRAYS				
PSF8.62-A	3-1/2" [89 mm]	10-1/8" [257 mm]	12-7/8" [327 mm]	2-1/2" [64 mm]
PSF8.62-W	3-1/2" [89 mm]	10-1/8" [257 mm]	12-7/8" [327 mm]	2-1/2" [64 mm]
PSF11-A	3-1/2" [89 mm]	12-1/2" [318 mm]	15-1/4" [387 mm]	2-1/2" [64 mm]
PSF11-PF-A	3-1/2" [89 mm]	12-1/2" [318 mm]	15-1/4" [387 mm]	2-1/8" [54 mm]
PSF11-PF-W	3-1/2" [89 mm]	12-1/2" [318 mm]	15-1/4" [387 mm]	2-1/8" [54 mm]
PSF11-W	3-1/2" [89 mm]	12-1/2" [318 mm]	15-1/4" [387 mm]	2-1/2" [64 mm]
PSF11RS-A	3-1/2" [89 mm]	12-1/2" [318 mm]	15-1/4" [387 mm]	2-1/2" [64 mm]
PSF11RS-W	3-1/2" [89 mm]	12-1/2" [318 mm]	15-1/4" [387 mm]	2-1/2" [64 mm]
PSF14-A	3-1/2" [89 mm]	15-1/2" [394 mm]	18-1/4" [464 mm]	2-1/2" [64 mm]
PSF14-PF-A	3-1/2" [89 mm]	15-1/2" [394 mm]	18-1/4" [464 mm]	2-1/8" [54 mm]
PSF14-PF-W	3-1/2" [89 mm]	15-1/2" [394 mm]	18-1/4" [464 mm]	2-1/8" [54 mm]
PSF14-W	3-1/2" [89 mm]	15-1/2" [394 mm]	18-1/4" [464 mm]	2-1/2" [64 mm]
PSF14RS-A	3-1/2" [89 mm]	15-1/2" [394 mm]	18-1/4" [464 mm]	2-1/2" [64 mm]
PSF14RS-W	3-1/2" [89 mm]	15-1/2" [394 mm]	18-1/4" [464 mm]	2-1/2" [64 mm]
PSF2425-A	3-1/2" [89 mm]	25-7/8" [657 mm]	28-5/8" [727 mm]	2-1/2" [64 mm]
PSF2425-W	3-1/2" [89 mm]	25-7/8" [657 mm]	28-5/8" [727 mm]	2-1/2" [64 mm]
PSF3025-A	3-1/2" [89 mm]	31-15/16" [811 mm]	34-11/16" [881 mm]	2-1/2" [64 mm]
PSF3025-W	3-1/2" [89 mm]	31-15/16" [811 mm]	34-11/16" [881 mm]	2-1/2" [64 mm]
EXTRUDED SINK FRONT TRAYS (dimensions include HP-XSF-EC-20-W End Caps)				
XSF34-10-W	4-1/2" [114 mm]	35-1/2" [902 mm]	38-1/4" [972 mm]	2-7/8" [114 mm]
XSF72-10-W	4-1/2" [114 mm]	73-3/4" [1,873 mm]	76-1/2" [1,943 mm]	2-7/8" [114 mm]

Dimensions shown are recommended minimum door opening dimensions.

Pull-Out Systems

Wood & Wire50
Wire54
Specialty59
Cabinet Dimensions62



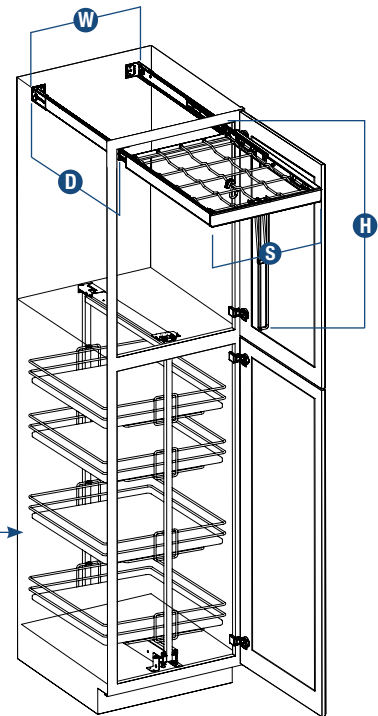


Pot & Pan Pantry Organizer

- Mounted to KV precision ball-bearing slides
- Heavy gauge wire frames
- Handle allows for easy opening and closing of unit
- KV Eco-Friendly Frosted Nickel finish
- A perfect complement to any Frosted Nickel Pantry Roll-Out (see pages 51 and 55)
- Six movable hooks (included) have rubber grips that reduce pan sway and allow pot and pan storage to be customized



Center-Mount Pantry Roll-Out & Baskets (see opposite page)



PAN1700TM-FN
(shown in upper cabinet)

See page 62 for recommended cabinet dimensions and clearances.

Stock #	Sliding Assembly Width S	Overall Product Dimensions			Finish	Units per Carton	Weight per Carton
		Height H	Width W	Depth D			
POT & PAN PANTRY ORGANIZER							
PAN1700TM-FN	16-7/8" [429 mm]	19-3/8" [492 mm]	17-3/4" [451 mm]	23 to 24-5/8" [584 – 625 mm]	Frosted Nickel*/ Birch	1	14 lbs. [6.4 kg.]

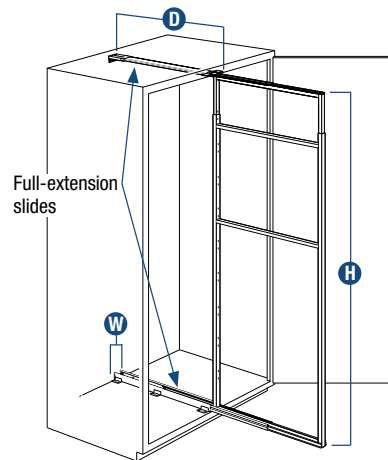
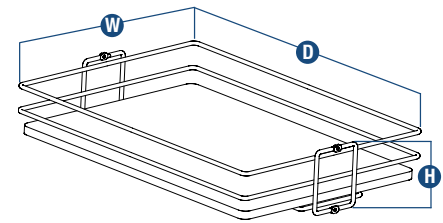
* Eco-Friendly. See page 4 for more information.



BP11CM-FNW

Center-Mount Pantry Roll-Out & Baskets

- Mounted to KV precision ball-bearing slides
- KV Eco-Friendly Frosted Nickel finish
- Center-Mount Baskets (sold separately) mount with four screws (included)
- Basket height can be varied in 3-3/4" increments
- Basket platforms are 1/2" thick Birch veneer with a UV-cured clear coat finish

Center-Mount Pantry Roll-Out
(P4650CM-FN shown)Center-Mount Basket
(BP14CM-FNW shown)

Stock #	Maximum # of Baskets	Individual Product Dimensions			Platform [Wire/Platform]	Units per Carton	Weight per Carton
		Height H	Width W	Depth D			
CENTER-MOUNT PANTRY ROLL-OUTS							
P1875CM-FN	2	20-1/2" – 22-1/2" [521 – 572 mm]	3-13/16" [97 mm]	22-1/4" [565 mm]	Frosted Nickel*/Birch	1	12.6 lbs. [5.7 kg.]
P2500CM-FN	2	26-3/4" – 28-3/4" [679 – 730 mm]	3-13/16" [97 mm]	22-1/4" [565 mm]	Frosted Nickel*/Birch	1	13.5 lbs. [6.1 kg.]
P4250CM-FN	4	44" – 49-3/8" [1,118 – 1,254 mm]	3-13/16" [97 mm]	22-1/4" [565 mm]	Frosted Nickel*/Birch	1	15.6 lbs. [7.1 kg.]
P4650CM-FN	5	48" – 53-3/8" [1,219 – 1,356 mm]	3-13/16" [97 mm]	22-1/4" [565 mm]	Frosted Nickel*/Birch	1	15.9 lbs. [7.2 kg.]
P5450CM-FN	6	56" – 61-3/8" [1,422 – 1,559 mm]	3-13/16" [97 mm]	22-1/4" [565 mm]	Frosted Nickel*/Birch	1	17 lbs. [7.7 kg.]
CENTER-MOUNT BASKETS							
BP5CM-FNW	–	4-1/8" [105 mm]	5" [127 mm]	20-7/16" [519 mm]	Frosted Nickel*/Birch	2	6.3 lbs. [2.9 kg.]
BP8CM-FNW	–	4-1/8" [105 mm]	8" [203 mm]	20-7/16" [519 mm]	Frosted Nickel*/Birch	2	8.8 lbs. [4.0 kg.]
BP11CM-FNW	–	4-1/8" [105 mm]	11" [279 mm]	20-7/16" [519 mm]	Frosted Nickel*/Birch	2	12.1 lbs. [5.5 kg.]
BP14CM-FNW	–	4-1/8" [105 mm]	14" [356 mm]	20-7/16" [519 mm]	Frosted Nickel*/Birch	2	13.5 lbs. [6.1 kg.]
BP17CM-FNW	–	4-1/8" [105 mm]	17" [432 mm]	20-7/16" [519 mm]	Frosted Nickel*/Birch	2	16 lbs. [7.3 kg.]
BP20CM-FNW	–	4-1/8" [105 mm]	20" [508 mm]	20-7/16" [519 mm]	Frosted Nickel*/Birch	2	17.4 lbs. [7.9 kg.]

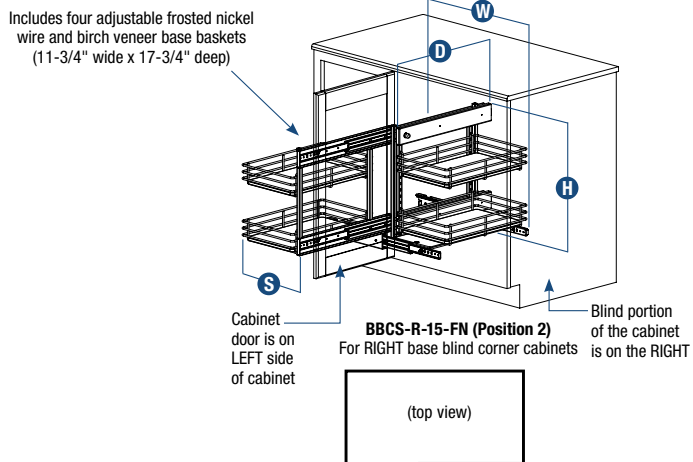
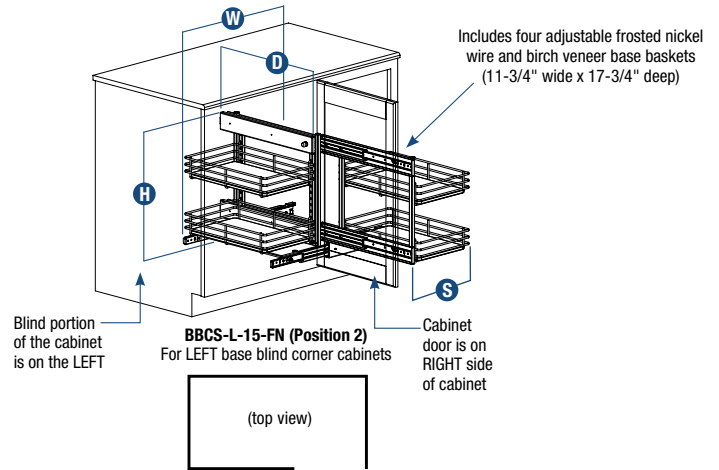
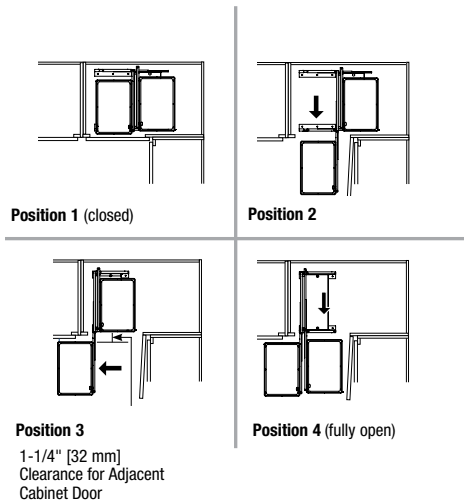
Sliding assembly width is the same as widest basket width. Load capacity not to exceed 100 lbs.

* Eco-Friendly. See page 4 for more information.



Slide-Out Base Blind Corner Unit

- KV Eco-Friendly Frosted Nickel finish
- Provides easy access to hard-to-reach blind corners
- Opens by manually pulling each half of the unit out of cabinet in three easy steps
- KV heavy-duty precision ball-bearing slides
- Left and Right hand options available



See page 62 for recommended cabinet dimensions and clearances.

Stock #	Sliding Assembly Width S	Height H	Assembled Product Dimensions		Finish	Units per Carton	Weight per Carton
			Width W	Depth D			
SLIDE-OUT BASE BLIND CORNER UNITS							
LEFT BLIND CORNER UNITS							
BBBCS-L-15-FN	14" [356 mm]	19-3/4" [502 mm]	26-3/16" [665 mm]	22-3/16" [564 mm]	Frosted Nickel*/Wood	1	63.9 lbs. [29 kg.]
BBCT-L-15-FN	14" [356 mm]	26-3/4" [679 mm]	26-3/16" [665 mm]	22-3/16" [564 mm]	Frosted Nickel*/Wood	1	67.6 lbs. [30.7 kg.]
RIGHT BLIND CORNER UNITS							
BBBCS-R-15-FN	14" [356 mm]	19-3/4" [502 mm]	26-3/16" [665 mm]	22-3/16" [564 mm]	Frosted Nickel*/Wood	1	63.9 lbs. [29.0 kg.]
BBCT-R-15-FN	14" [356 mm]	26-3/4" [679 mm]	26-3/16" [665 mm]	22-3/16" [564 mm]	Frosted Nickel*/Wood	1	67.6 lbs. [30.7 kg.]

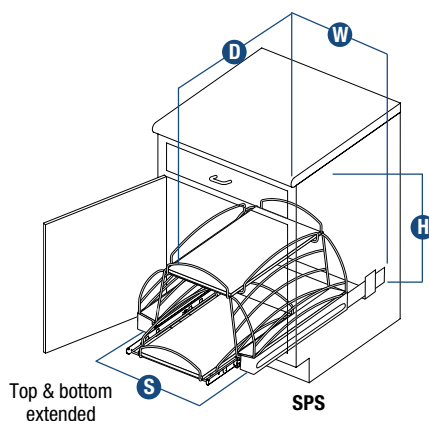
* Eco-Friendly. See page 4 for more information.



SPS27-FN
(Top and bottom extended)

Pot & Pan Caddy

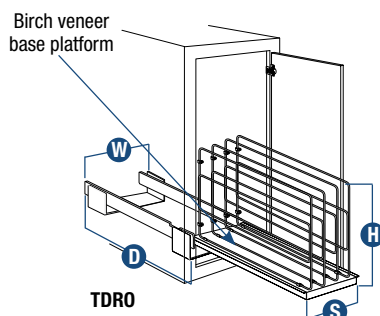
- KV Eco-Friendly Frosted Nickel finish
- Two separate pull-out sections provide flexible pot and pan storage and access
- Pre-finished Birch veneer platforms with contoured skirting and Frosted Nickel heavy-gauge wire fencing
- Easy installation with only four screws



Tray Divider Roll-Out
(TDRO-FNW-9 shown)

Wood & Wire Tray Divider Roll-Outs

- KV Eco-Friendly Frosted Nickel finish
- Heavy gauge Frosted Nickel wire frames
- Birch veneer base platform
- Slides out on heavy-duty, full-extension ball-bearing slides

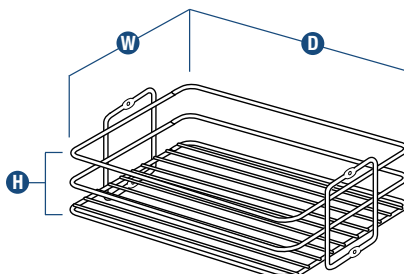


Stock #	Sliding Assembly Width S	Assembled Product Dimensions			Finish [Wire/Platform]	Units per Carton	Weight per Carton
		Width W	Height H	Depth D			
POT & PAN CADDY							
SPS21-FN	19-1/2" [495 mm]	19-1/2" [495 mm]	14-1/4" [362 mm]	22-1/4" [565 mm]	Frosted Nickel*/Birch	1	32.6 lbs. [14.8 kg.]
SPS27-FN	25-1/2" [648 mm]	25-1/2" [648 mm]	14-1/4" [362 mm]	22-1/4" [565 mm]	Frosted Nickel*/Birch	1	33.8 lbs. [15.3 kg.]
WOOD & WIRE TRAY DIVIDER ROLL-OUTS							
TDRO-FNW-6	5-1/2" [140 mm]	5-1/2" [140 mm]	14" [356 mm]	22-1/4" [565 mm]	Frosted Nickel*/Birch	1	11.5 lbs. [5.2 kg.]
TDRO-FNW-9	8-1/2" [216 mm]	8-1/2" [216 mm]	14" [356 mm]	22-1/4" [565 mm]	Frosted Nickel*/Birch	1	13.9 lbs. [6.3 kg.]

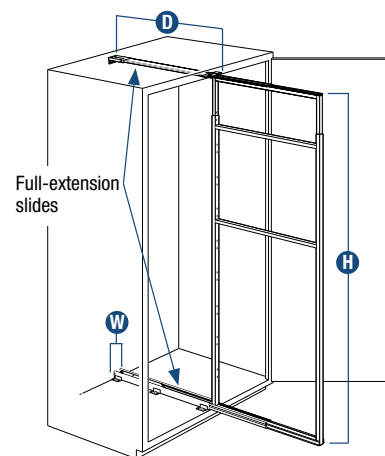
* Eco-Friendly. See page 4 for more information.



Center-Mount Basket
(BP20CM-W shown)



Center-Mount Basket
(BP10CM-W shown)



Center-Mount Pantry Roll-Out
(P5450CM-W shown)

- Variety of height ranges available
- Center-Mount Baskets (sold separately) mount with four screws (included) to the center of Pantry Roll-Out
- Basket height can be varied in 3-3/4" increments
- Mounted to KV precision ball-bearing slides

See page 62 for recommended cabinet dimensions and clearances.

Stock #	Maximum # of Baskets	Individual Product Dimensions			Finish	Units per Carton	Weight per Carton
		Width W	Height H	Depth D			
CENTER-MOUNT PANTRY ROLL-OUTS							
P1875CM-W	2	3-13/16" [97 mm]	20-1/2" – 22-1/2" [521 – 572 mm]	22-1/4" [565 mm]	White	1	12.1 lbs. [5.5 kg.]
P2500CM-W	2	3-13/16" [97 mm]	26-3/4" – 28-3/4" [679 – 730 mm]	22-1/4" [565 mm]	White	1	13.7 lbs. [6.2 kg.]
P4250CM-W	4	3-13/16" [97 mm]	44" – 49-3/8" [1,118 – 1,254 mm]	22-1/4" [565 mm]	White	1	18.8 lbs. [8.5 kg.]
P4650CM-W	5	3-13/16" [97 mm]	48" – 53-3/8" [1,219 – 1,356 mm]	22-1/4" [565 mm]	White	1	19.3 lbs. [8.8 kg.]
P5450CM-W	6	3-13/16" [97 mm]	56" – 61-3/8" [1,422 – 1,559 mm]	22-1/4" [565 mm]	White	1	20.4 lbs. [9.3 kg.]
CENTER-MOUNT BASKETS							
BP5CM-W	–	5" [127 mm]	4-1/8" [105 mm]	20-7/16" [519 mm]	White	2	6.8 lbs. [3.1 kg.]
BP8CM-W	–	8" [203 mm]	4-1/8" [105 mm]	20-7/16" [519 mm]	White	2	8.4 lbs. [3.8 kg.]
BP11CM-W	–	11" [279 mm]	4-1/8" [105 mm]	20-7/16" [519 mm]	White	2	9.6 lbs. [4.4 kg.]
BP14CM-W	–	14" [356 mm]	4-1/8" [105 mm]	20-7/16" [519 mm]	White	2	11.4 lbs. [5.2 kg.]
BP17CM-W	–	17" [432 mm]	4-1/8" [105 mm]	20-7/16" [519 mm]	White	2	12.8 lbs. [5.8 kg.]
BP20CM-W	–	20" [508 mm]	4-1/8" [105 mm]	20-7/16" [519 mm]	White	2	14.3 lbs. [6.5 kg.]

Sliding assembly width is same as widest basket width. Load capacity not to exceed 100 lbs.



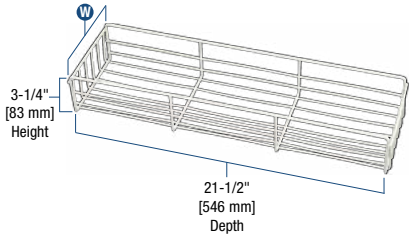
P5450FE-FN with BP10-FN

Side-Mount Pantry Roll-Out & Baskets

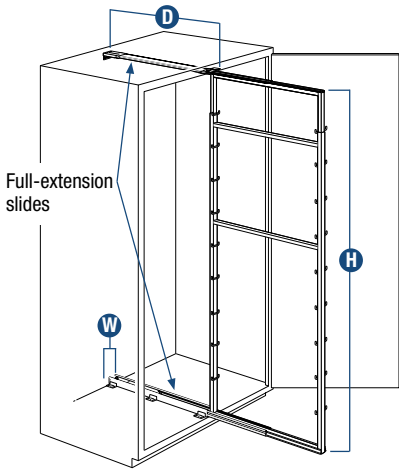
- KV Eco-Friendly Frosted Nickel finish or White
- Basket height can be varied in 4" increments
- Side-Mount Baskets (sold separately) mount to hooks on side of Side-Mount Pantry Roll-Out



Side-Mount Basket
(Sold separately.)



Side-Mount Basket
(BP6-W shown)



Side-Mount Pantry Roll-Out
(P5450FE shown)

Stock #	Width W	Finish	Units per Carton	Weight per Carton
SIDE-MOUNT BASKETS				
BP4-FN	4" [102 mm]	Frosted Nickel*	10	13.7 lbs. [6.2 kg.]
BP5-FN	5" [127 mm]	Frosted Nickel*	10	15.1 lbs. [6.8 kg.]
BP6-FN	6" [152 mm]	Frosted Nickel*	10	16.2 lbs. [7.3 kg.]
BP7-FN	7" [178 mm]	Frosted Nickel*	10	17.7 lbs. [8.0 kg.]
BP8-FN	8" [203 mm]	Frosted Nickel*	10	18.6 lbs. [8.4 kg.]
BP9-FN	9" [229 mm]	Frosted Nickel*	10	19.7 lbs. [8.9 kg.]
BP10-FN	10" [254 mm]	Frosted Nickel*	10	21 lbs. [9.5 kg.]
BP12-FN	12" [305 mm]	Frosted Nickel*	10	26.3 lbs. [11.9 kg.]
BP4-W	4" [102 mm]	White	10	13.7 lbs. [6.2 kg.]
BP5-W	5" [127 mm]	White	10	15.1 lbs. [6.8 kg.]
BP6-W	6" [152 mm]	White	10	16.2 lbs. [7.3 kg.]
BP7-W	7" [178 mm]	White	10	17.7 lbs. [8.0 kg.]
BP8-W	8" [203 mm]	White	10	18.6 lbs. [8.4 kg.]
BP9-W	9" [229 mm]	White	10	19.7 lbs. [8.9 kg.]
BP10-W	10" [254 mm]	White	10	21 lbs. [9.5 kg.]
BP12-W	12" [305 mm]	White	10	26.3 lbs. [11.9 kg.]

For Depth & Height, see drawing to left.

Stock #	Individual Product Dimensions			Finish	Units per Carton	Weight per Carton
	Width W	Height H	Depth D			
SIDE-MOUNT PANTRY ROLL-OUTS						
P4250FE-FN	3-13/16" [97 mm]	44" – 49-3/8" [1,118 – 1,254 mm]	22-1/4" [565 mm]	Frosted Nickel*	1	18.6 lbs. [8.4 kg.]
P4650FE-FN	3-13/16" [97 mm]	48" – 53-3/8" [1,219 – 1,356 mm]	22-1/4" [565 mm]	Frosted Nickel*	1	19.4 lbs. [8.8 kg.]
P5450FE-FN	3-13/16" [97 mm]	56" – 61-3/8" [1,422 – 1,559 mm]	22-1/4" [565 mm]	Frosted Nickel*	1	20.8 lbs. [9.4 kg.]
P4250FE-W	3-13/16" [97 mm]	44" – 49-3/8" [1,118 – 1,254 mm]	22-1/4" [565 mm]	White	1	18.7 lbs. [8.5 kg.]
P4650FE-W	3-13/16" [97 mm]	48" – 53-3/8" [1,219 – 1,356 mm]	22-1/4" [565 mm]	White	1	19.8 lbs. [9.0 kg.]
P5050FE-W	3-13/16" [97 mm]	52" – 57-3/8" [1,321 – 1,457 mm]	22-1/4" [565 mm]	White	1	20 lbs. [9.1 kg.]
P5450FE-W	3-13/16" [97 mm]	56" – 61-3/8" [1,422 – 1,559 mm]	22-1/4" [565 mm]	White	1	20.9 lbs. [9.5 kg.]
P6500FE-W	3-13/16" [97 mm]	66-1/2" – 71-7/8" [1,689 – 1,826 mm]	22-1/4" [565 mm]	White	1	22.5 lbs. [10.2 kg.]

Sliding assembly width is equal to Pantry Roll-Out width plus total width of baskets being applied. Load capacity not to exceed 100 lbs.

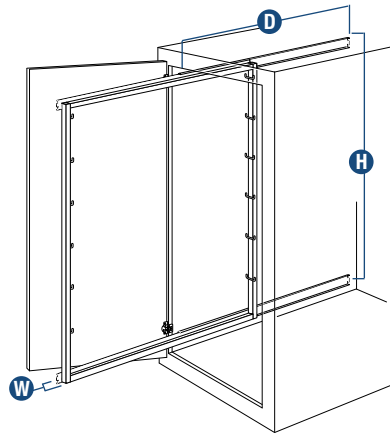
* Eco-Friendly. See page 4 for more information.

See page 62-63 for recommended cabinet dimensions and clearances.



Base Cabinet Organizer

- Features six vertical Side-Mount Basket positions (BC020E-W has two vertical basket positions. Side-Mount Baskets sold separately on page 55.)
- Basket height can be varied in 3-3/4" increments
- 75 lb. class rated, bi-directional slides are non-handed



Side-Mount Baskets
(Sold separately. See pg. 55.)

Base Cabinet Organizer
(BC02456-W shown)

See page 63 for recommended cabinet dimensions and clearances.

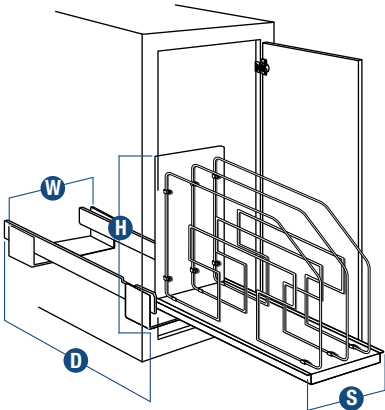
Stock #	Sliding Assembly Width S	Assembled Product Dimensions			Finish	Units per Carton	Weight per Carton
		Width W	Height H	Depth D			
BASE CABINET ORGANIZER							
BC020E-W	**	1-1/2" [38 mm]	21-3/16" [538 mm]	21-11/16" [551 mm]	White	1	6.1 lbs. [2.8 kg.]
BC02456-W	***	1-3/8" [35 mm]	25" [635 mm]	22" [559 mm]	White	1	5.8 lbs. [2.6 kg.]

** Total sliding assembly width is equal to total width of Side-Mount Basket application plus 15/16" [24 mm].

*** Total sliding assembly width is equal to total width of Side-Mount Basket application plus 1-3/8" [35 mm].

Tray Divider Roll-Outs

- KV epoxy-coated roller slides
- Sliding base assembly is 1/2"-thick laminated melamine mounted on epoxy-coated slides and is fully assembled
- Heavy-gauge steel wire partitions section off storage areas



Tray Divider Roll-Out
(TDR09-W shown)

Stock #	Sliding Assembly Width S	Width W	Assembled Product Dimensions		Finish	Units per Carton	Weight per Carton
			Height H	Depth D			
TRAY DIVIDER ROLL-OUTS							
TDR06-W	5-7/16" [138 mm]	6" [152 mm]	19-1/2" [495 mm]	22" [559 mm]	White	1	9.0 lbs. [4.1 kg.]
TDR09-W	8-7/16" [214 mm]	9" [229 mm]	19-1/2" [495 mm]	22" [559 mm]	White	1	11.9 lbs. [5.4 kg.]

* Total sliding assembly width is equal to total width of Side-Mount Basket application plus 5/8" [16 mm].

See page 63 for recommended cabinet dimensions and clearances.



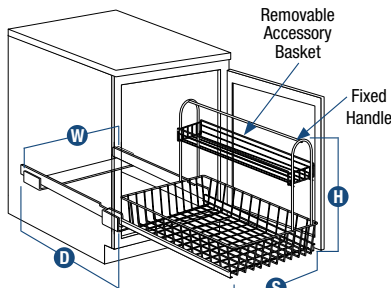
Multi-Use Basket with Upper Basket
(USB11-TM-W shown)



Multi-Use Basket
(MU11-W shown)

Multi-Use Baskets

- KV Eco-Friendly Frosted Nickel finish
- KV epoxy-coated roller slide
- Accessory and Upper Baskets are non-handed, removable and offset to avoid plumbing for undersink applications



Multi-Use Basket with Handle & Upper Basket
(USB shown)

Stock #	LOWER BASKET DIMENSIONS			UPPER BASKET DIMENSIONS		
	Width W	Height H	Depth D	Width W	Height H	Depth D
GUSB11-FN	11"	4"	18"	5"	2-7/8"	17-1/2"
GUSB14-FN	14"	4"	18"	5"	2-7/8"	17-1/2"
USB11-W	11"	4-1/8"	18-3/4"	5"	2-7/8"	17-3/8"
USB14-W	14"	4-1/8"	18-3/4"	5"	2-7/8"	17-3/8"
USB11TM-W	11"	4-1/8"	18"	-	-	-
USB14TM-W	14"	4-1/8"	18"	-	-	-
MU11-W	11"	4-1/8"	18-3/4"	-	-	-
MU14-W	14"	4-1/8"	18-3/4"	-	-	-

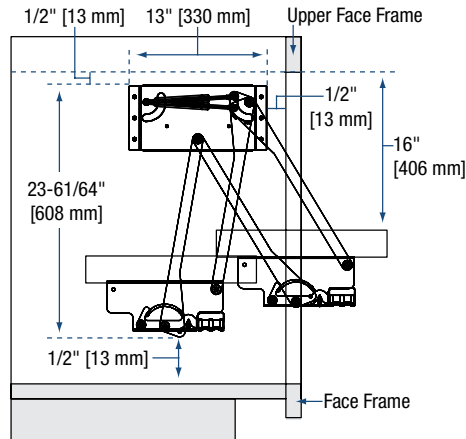
Stock #	Sliding Assembly Width S	Assembled Product Dimensions			Finish	Units per Carton	Weight per Carton
		Width W	Height H	Depth D			
MULTI-USE BASKETS WITH HANDLE AND ACCESSORY BASKET							
GUSB11-FN	11-7/16" [291 mm]	12-1/8" [308 mm]	15-7/16" [392 mm]	18-3/4" [476 mm]	Frosted Nickel*	1	8.9 lbs. [4.0 kg.]
GUSB14-FN	14-7/16" [367 mm]	15-1/8" [384 mm]	15-7/16" [392 mm]	18-3/4" [476 mm]	Frosted Nickel*	1	9.7 lbs. [4.4 kg.]
USB11-W	11-7/16" [291 mm]	12-1/8" [308 mm]	15-1/2" [394 mm]	18-3/4" [476 mm]	White	1	7.6 lbs. [3.4 kg.]
USB14-W	14-7/16" [367 mm]	15-1/8" [384 mm]	15-1/2" [394 mm]	18-3/4" [476 mm]	White	1	8.2 lbs. [3.7 kg.]
MULTI-USE BASKETS WITH UPPER BASKET							
USB11TM-W	11-7/16" [291 mm]	12-1/8" [308 mm]	9-5/16" [237 mm]	19-1/8" [486 mm]	White	1	6.1 lbs. [2.8 kg.]
USB14TM-W	14-7/16" [367 mm]	15-1/8" [384 mm]	9-5/16" [237 mm]	19-1/8" [486 mm]	White	1	7.2 lbs. [3.3 kg.]
MULTI-USE BASKETS							
MU11-W	11-7/16" [291 mm]	12-1/8" [308 mm]	5-3/16" [132 mm]	18-3/4" [476 mm]	White	1	4.8 lbs. [2.2 kg.]
MU14-W	14-7/16" [367 mm]	15-1/8" [384 mm]	5-3/16" [132 mm]	18-3/4" [476 mm]	White	1	5.7 lbs. [2.6 kg.]

* See page 4 for Frosted Nickel information.

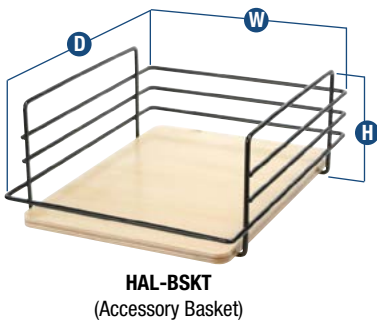
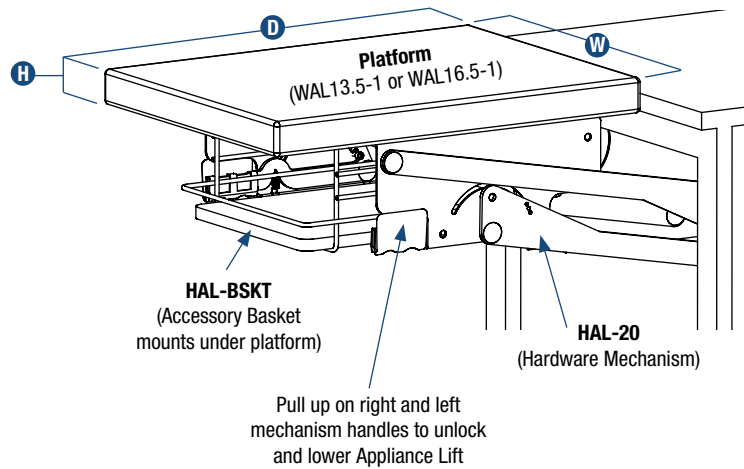
See page 63 for recommended cabinet dimensions and clearances.

Appliance Lift

- Kitchen appliances raise effortlessly with a gas cylinder assist and then lock securely into place
- Can be outfitted with a custom block platform or a quality KV pre-made maple wood platform
- Lift can be positioned at two different levels: flush with counter or 2" below counter



NOTE: Install 1/2" down and 1/2" back from upper Face Frame (as shown)

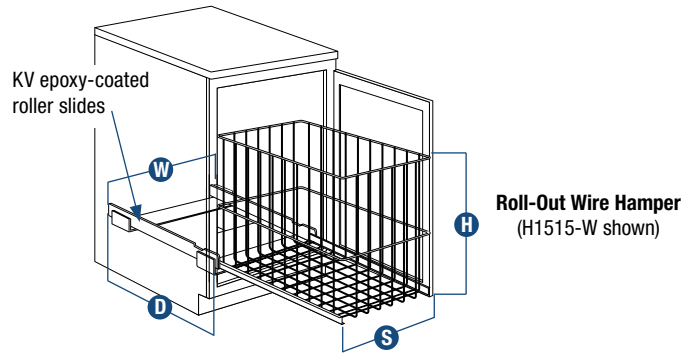


Stock #	Description	Width W	Height H	Depth D	Finish	Units per Carton	Weight per Carton
APPLIANCE LIFT PARTS							
HAL-20	Hardware Mechanism (left and right arm)	Platform Surface + 2-1/2" [64 mm]	23-61/64" [608 mm]	Maximum of 13" [330 mm] or Platform Depth	Platinum	1	13.7 lbs. [6.2 kg.]
WAL13.5-1	13-1/2" Maple Block Platform	13-1/2" [343 mm]	1-1/2" [38 mm]	18" [457 mm]	Maple	1	9.9 lbs. [4.5 kg.]
WAL16.5-1	16-1/2" Maple Block Platform	16-1/2" [419 mm]	1-1/2" [38 mm]	18" [457 mm]	Maple	1	12.3 lbs. [5.6 kg.]
HAL-BSKT	Accessory Basket	9-7/8" [251 mm]	4-7/8" [124 mm]	12-7/8" [327 mm]	Black/Birch	1	4.2 lbs. [1.9 kg.]



Hampers

- Hamper is removable (except Tilt-Out hampers)
- Open wire frame hampers make laundry storage easy

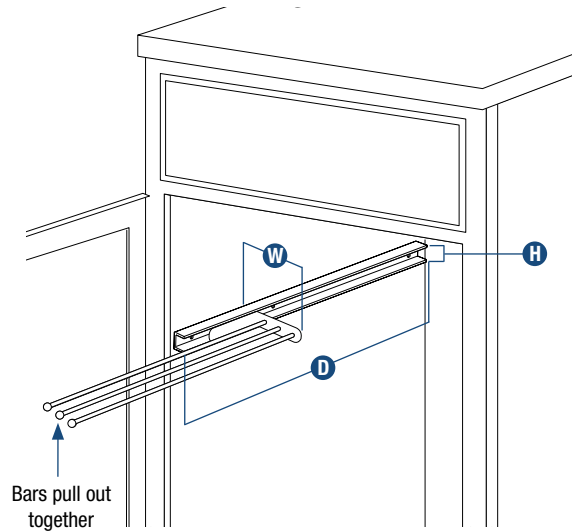
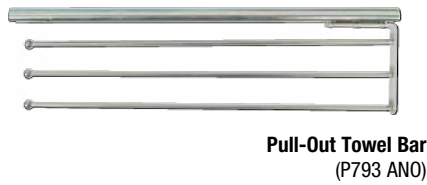


See page 62 for recommended cabinet dimensions and clearances.

Stock #	Assembly Width S	Assembled Product Dimensions			Finish	Capacity per Bin	Number of Bins	Units per Carton	Weight per Carton
		Width W	Height H	Depth D					
ROLL-OUT WIRE HAMPER									
H1215-W	11-7/16" [291 mm]	12-1/8" [308 mm]	14-5/8" [371 mm]	18-3/4" [476 mm]	White	40 qt.	1	1	8.1 lbs. [3.7 kg.]
H1218-W	11-7/16" [291 mm]	12-1/8" [308 mm]	18-7/8" [479 mm]	18-3/4" [476 mm]	White	53 qt.	1	1	9 lbs. [4.1 kg.]
H1515-W	14-7/16" [367 mm]	15-1/8" [384 mm]	14-5/8" [371 mm]	18-3/4" [476 mm]	White	53 qt.	1	1	9.2 lbs. [4.2 kg.]
H1518-W	14-7/16" [367 mm]	15-1/8" [384 mm]	18-7/8" [479 mm]	18-3/4" [476 mm]	White	71 qt.	1	1	11 lbs. [5.0 kg.]
MH1215-W	11-7/16" [291 mm]	12-1/8" [308 mm]	14-5/8" [371 mm]	16" [406 mm]	White	33 qt.	1	1	7.1 lbs. [3.2 kg.]
TILT-OUT WIRE HAMPER									
T01710-1-W	10-1/2" [267 mm]	10-1/2" [267 mm]	17-3/4" [451 mm]	18-13/16" [478 mm]	White	39 qt.	1	1	6.2 lbs. [2.8 kg.]
T01710-W	10-1/2" [267 mm]	10-1/2" [267 mm]	17-3/4" [451 mm]	18-13/16" [478 mm]	White	39 qt.	1	4	42.8 lbs. [19.4 kg.]
T01713-1-W	13-1/2" [343 mm]	13-1/2" [343 mm]	17-3/4" [451 mm]	18-13/16" [478 mm]	White	52 qt.	1	1	7.6 lbs. [3.4 kg.]
T01713-W	13-1/2" [343 mm]	13-1/2" [343 mm]	17-3/4" [451 mm]	18-13/16" [478 mm]	White	52 qt.	1	4	48.1 lbs. [21.8 kg.]
T01716-1-W	16-1/2" [419 mm]	16-1/2" [419 mm]	17-3/4" [451 mm]	18-13/16" [478 mm]	White	65 qt.	1	1	8.7 lbs. [3.9 kg.]
T01716-W	16-1/2" [419 mm]	16-1/2" [419 mm]	17-3/4" [451 mm]	18-13/16" [478 mm]	White	65 qt.	1	4	41.8 lbs. [19.0 kg.]

Pull-Out Towel Bar

- Pull-Out Towel Bar has three bars that pull out together on a friction-free ball-bearing carrier
- Mounts to right or left side of cabinet



Pull-Out Towel Bar (P793 ANO)

Stock #	Sliding Assembly Width	Assembled Product Dimensions			Finish	Units per Carton	Weight per Carton
		Width W	Height H	Depth D			
PULL-OUT TOWEL BAR							
P793 ANO	4-13/16" [122 mm]	4-13/16" [122 mm]	1-5/16" [33 mm]	17-3/4" [451 mm]	Anochrome	10	23.3 lbs. [10.6 kg]

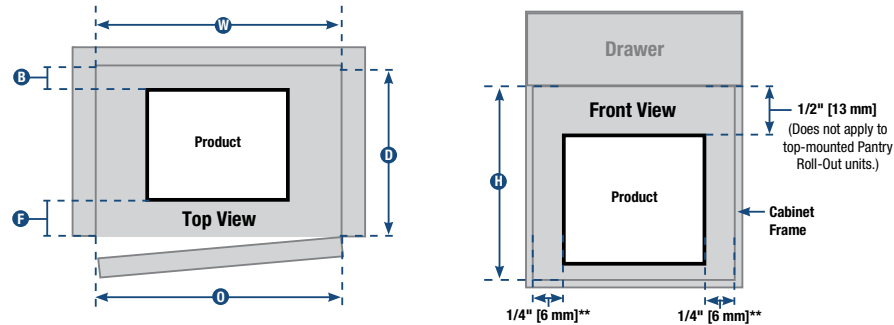
Cabinet Dimensions

Stock #	Min. Cabinet Opening		Minimum Interior Cabinet Dimensions		Minimum Cabinet Clearances	
	Width O	Width W	Height H	Depth D	Front F	Back B
Slide-Out Base Blind Corner Units						
BBCS-L-15-FN	14-1/2" [368 mm]	26-11/16" [678 mm]	20-1/4" [514 mm]	22-11/16" [576 mm]	1/4" [6 mm]	1/4" [6 mm]
BBCT-L-15-FN	14-1/2" [368 mm]	26-11/16" [678 mm]	27-1/4" [692 mm]	22-11/16" [576 mm]	1/4" [6 mm]	1/4" [6 mm]
BBCS-R-15-FN	14-1/2" [368 mm]	26-11/16" [678 mm]	20-1/4" [514 mm]	22-11/16" [576 mm]	1/4" [6 mm]	1/4" [6 mm]
BBCT-R-15-FN	14-1/2" [368 mm]	26-11/16" [678 mm]	27-1/4" [692 mm]	22-11/16" [576 mm]	1/4" [6 mm]	1/4" [6 mm]
Center-Mount Pantry Roll-Outs						
P1875CM-FN	*	*	20-1/2" [520 mm]	22-1/4" [565 mm]	–	–
P2500CM-FN	*	*	26-3/4" [679 mm]	22-1/4" [565 mm]	–	–
P4250CM-FN	*	*	44" [1,117 mm]	22-1/4" [565 mm]	–	–
P4650CM-FN	*	*	48" [1,219 mm]	22-1/4" [565 mm]	–	–
P5450CM-FN	*	*	56" [1,422 mm]	22-1/4" [565 mm]	–	–
Pot & Pan Pantry Organizer						
PAN1700TM-FN	17-1/2" [444 mm]	17-1/2" [444 mm]	19-3/8" [492 mm]	23-3/4" [603 mm]	–	1/2" [13 mm]
Pot & Pan Caddy						
SPS21-FN	20" [508 mm]	20" [508 mm]	14-3/4" [375 mm]	22-3/4" [578 mm]	1/4" [6 mm]	1/4" [6 mm]
SPS27-FN	26" [660 mm]	26" [660 mm]	14-3/4" [375 mm]	22-3/4" [578 mm]	1/4" [6 mm]	1/4" [6 mm]
Wood & Wire Tray Divider Roll-Outs						
TDRO-FNW-6	6" [152 mm]	6" [152 mm]	14-1/2" [368 mm]	22-3/4" [578 mm]	1/4" [6 mm]	1/4" [6 mm]
TDRO-FNW-9	9" [229 mm]	9" [229 mm]	14-1/2" [368 mm]	22-3/4" [578 mm]	1/4" [6 mm]	1/4" [6 mm]
Appliance Lift (see page 59 for additional clearances)						
HAL-20	Platform Width + 1" [25 mm]	Platform Width + 2-1/2" [64 mm]	25" [634 mm]	Minimum of 16-1/2" [419 mm] OR platform depth	1/2" [13 mm]	1/2" [13 mm]
Hampers						
H1215-W	12" [305 mm]	12-5/8" [321 mm]	15-1/8" [384 mm]	19-1/4" [489 mm]	1/4" [6 mm]	1/4" [6 mm]
H1218-W	12" [305 mm]	12-5/8" [321 mm]	19-3/8" [492 mm]	19-1/4" [489 mm]	1/4" [6 mm]	1/4" [6 mm]
H1515-W	15" [381 mm]	15-5/8" [397 mm]	15-1/8" [384 mm]	19-1/4" [489 mm]	1/4" [6 mm]	1/4" [6 mm]
H1518-W	15" [381 mm]	15-5/8" [397 mm]	19-3/8" [492 mm]	19-1/4" [489 mm]	1/4" [6 mm]	1/4" [6 mm]
MH1215-W	12" [305 mm]	12-5/8" [321 mm]	15-1/8" [384 mm]	16-1/2" [419 mm]	1/4" [6 mm]	1/4" [6 mm]
T01710-1-W	11" [279 mm]	11" [279 mm]	18-1/4" [464 mm]	19-5/16" [491 mm]	1/4" [6 mm]	1/4" [6 mm]
T01710-W	11" [279 mm]	11" [279 mm]	18-1/4" [464 mm]	19-5/16" [491 mm]	1/4" [6 mm]	1/4" [6 mm]
T01713-1-W	14" [356 mm]	14" [356 mm]	18-1/4" [464 mm]	19-5/16" [491 mm]	1/4" [6 mm]	1/4" [6 mm]
T01713-W	14" [356 mm]	14" [356 mm]	18-1/4" [464 mm]	19-5/16" [491 mm]	1/4" [6 mm]	1/4" [6 mm]
T01716-1-W	17" [432 mm]	17" [432 mm]	18-1/4" [464 mm]	19-5/16" [491 mm]	1/4" [6 mm]	1/4" [6 mm]
T01716-W	17" [432 mm]	17" [432 mm]	18-1/4" [464 mm]	19-5/16" [491 mm]	1/4" [6 mm]	1/4" [6 mm]
Pull-Out Towel Bar						
P79 3 ANO	5-5/16" [135 mm]	5-5/16" [135 mm]	1-13/16" [46 mm]	18-1/4" [464 mm]	1/4" [6 mm]	1/4" [6 mm]
Center-Mount Pantry Roll-Out						
P1875CM-W	*	*	20-1/2" [520 mm]	22-1/4" [565 mm]	–	–
P2500CM-W	*	*	26-3/4" [670 mm]	22-1/4" [565 mm]	–	–
P4250CM-W	*	*	44" [1,117 mm]	22-1/4" [565 mm]	–	–
P4650CM-W	*	*	48" [1,219 mm]	22-1/4" [565 mm]	–	–
P5450CM-W	*	*	56" [1,422 mm]	22-1/4" [565 mm]	–	–
Side-Mount Pantry Roll-Out						
P4250FE-W	*	*	44" [1,117 mm]	22-1/4" [565 mm]	–	–
P4650FE-W	*	*	48" [1,219 mm]	22-1/4" [565 mm]	–	–
P5050FE-W	*	*	52" [1320 mm]	22-1/4" [565 mm]	–	–
P5450FE-W	*	*	56" [1422 mm]	22-1/4" [565 mm]	–	–

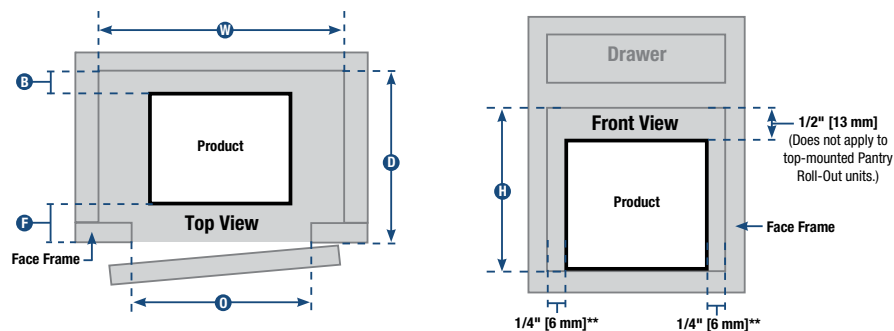
* Minimum Cabinet Opening Width AND Minimum Cabinet Interior Width equals total width of completely assembled unit with all baskets applied, plus 1/2" clearance per side (1" total clearance for center-mounted units, 1/2" side clearance for side-mounted units). Dimensions shown are recommended minimum cabinet dimensions and clearances.

P6500FE-W	*	*	66-1/2" [1689 mm]	22-1/4" [565 mm]	-	-
P4250FE-FN	*	*	44" [1117 mm]	22-1/4" [565 mm]	-	-
P4650FE-FN	*	*	48" [1219 mm]	22-1/4" [565 mm]	-	-
P5450FE-FN	*	*	56" [1422 mm]	22-1/4" [565 mm]	-	-
Base Cabinet Organizer						
BCO20E-W	*	*	21-11/16" [551 mm]	22-3/16" [564 mm]	1/4" [6 mm]	1/4" [6 mm]
BCO2456-W	*	*	25-1/2" [648 mm]	22-1/2" [572 mm]	1/4" [6 mm]	1/4" [6 mm]
Base Roll-Out						
B1700-W	*	*	19-3/4" [502 mm]	22-3/16" [564 mm]	1/4" [6 mm]	1/4" [6 mm]
Multi-Use Baskets						
GUSB11-FN	12" [305 mm]	12-5/8" [321 mm]	15-15/16" [405 mm]	19-1/4" [489 mm]	1/4" [6 mm]	1/4" [6 mm]
GUSB14-FN	15" [381 mm]	15-5/8" [397 mm]	15-15/16" [405 mm]	19-1/4" [489 mm]	1/4" [6 mm]	1/4" [6 mm]
USB11-W	12" [305 mm]	12-5/8" [321 mm]	16" [406 mm]	19-1/4" [489 mm]	1/4" [6 mm]	1/4" [6 mm]
USB14-W	15" [381 mm]	15-5/8" [397 mm]	16" [406 mm]	19-1/4" [489 mm]	1/4" [6 mm]	1/4" [6 mm]
USB11TM-W	12" [305 mm]	12-5/8" [321 mm]	9-13/16" [249 mm]	19-5/8" [498 mm]	1/4" [6 mm]	1/4" [6 mm]
USB14TM-W	15" [381 mm]	15-5/8" [397 mm]	9-13/16" [249 mm]	19-5/8" [498 mm]	1/4" [6 mm]	1/4" [6 mm]
MU11-W	12" [305 mm]	12-5/8" [321 mm]	5-11/16" [144 mm]	19-1/4" [489 mm]	1/4" [6 mm]	1/4" [6 mm]
MU14-W	15" [381 mm]	15-5/8" [397 mm]	5-11/16" [144 mm]	19-1/4" [489 mm]	1/4" [6 mm]	1/4" [6 mm]
Tray Divider Roll-Outs						
TDR06-W	6" [152 mm]	6-1/2" [165 mm]	20" [508 mm]	22-1/2" [572 mm]	1/4" [6 mm]	1/4" [6 mm]
TDR09-W	9" [229 mm]	9-1/2" [241 mm]	20" [508 mm]	22-1/2" [572 mm]	1/4" [6 mm]	1/4" [6 mm]

Example of Frameless / Euro-Style Cabinet Application



Example of Face Frame Cabinet Application



* Minimum Cabinet Opening Width AND Minimum Cabinet Interior Width equals total width of completely assembled unit with all baskets applied, plus 1/2" clearance per side (1" total clearance for center-mounted units, 1/2" side clearance for side-mounted units). Dimensions shown are recommended minimum cabinet dimensions and clearances.

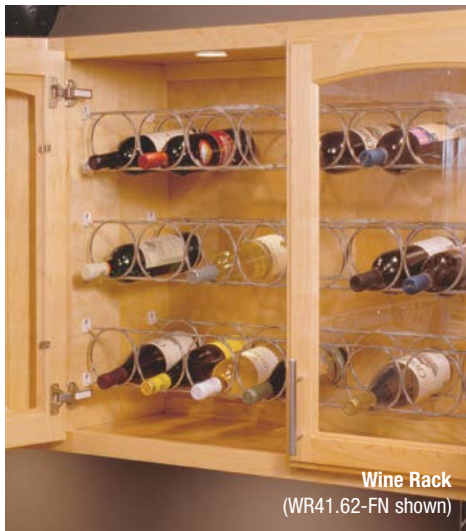
** Slide-out Base Blind Corner Units and Base Cabinet Organizers require 1/2" side clearance on one side, not both.

Specialty Storage

- Wine Accessories66
- Spice Racks67
- Wire Accessories.....68
- Cabinet Dimensions.....71







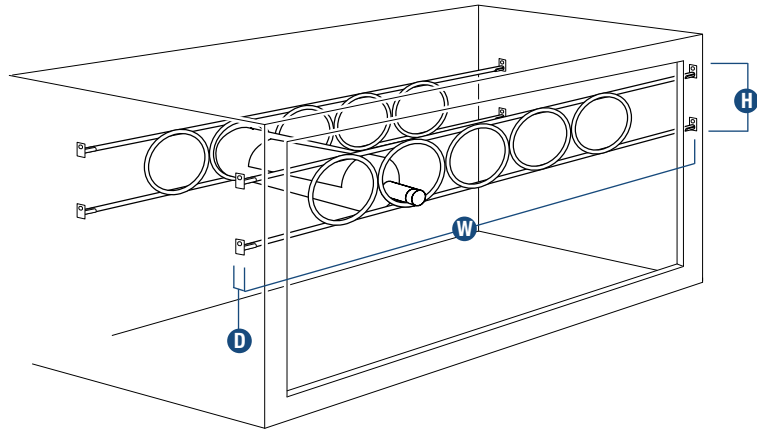
Wine Rack
(WR41.62-FN shown)



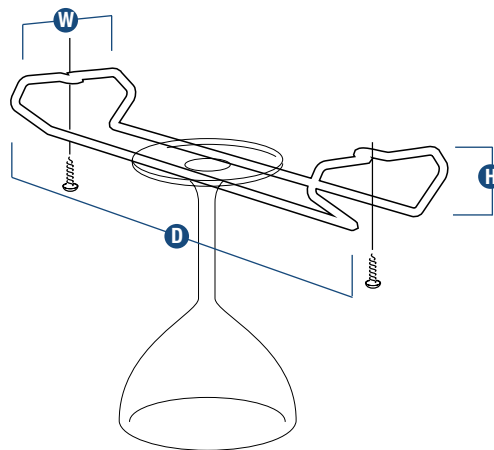
Stemware Holder
(ST11.50-FN shown)

Wine Accessories

- KV Eco-Friendly Frosted Nickel finish
- Economical and elegant wine and stemware displays
- Two racks are required for Wine Rack installation, one in front and one parallel in back



Wine Rack
(WR23.62-FN shown)



Stemware Holder

Stock #	Individual Product Dimensions			Number of Rings	Finish	Units per Carton	Weight per Carton
	Width W	Height H	Depth D				
WINE RACKS							
WR23.62-FN	23-5/8" [600 mm]	4-1/4" [108 mm]	*	5	Frosted Nickel**	5 pair	12 lbs. [5.4 kg.]
WR29.62-FN	29-5/8" [752 mm]	4-1/4" [108 mm]	*	6	Frosted Nickel**	5 pair	17 lbs. [7.7 kg.]
WR35.62-FN	35-5/8" [905 mm]	4-1/4" [108 mm]	*	7	Frosted Nickel**	5 pair	17 lbs. [7.7 kg.]
WR41.62-FN	41-5/8" [1057 mm]	4-1/4" [108 mm]	*	9	Frosted Nickel**	5 pair	20.6 lbs. [9.3 kg.]
STEMWARE HOLDERS							
ST11.50-B	4" [102 mm]	2" [51 mm]	11-9/16" [294 mm]	–	Brass-Look	10	3.5 lbs. [1.6 kg.]
ST11.50-FN	4" [102 mm]	2" [51 mm]	11-9/16" [294 mm]	–	Frosted Nickel**	10	3.5 lbs. [1.6 kg.]

*Total product depth is dependent upon positioning of front and back pieces.

** Eco-Friendly. See page 4 for more information.

See page 71 for recommended cabinet dimensions and clearances.

Spice Racks

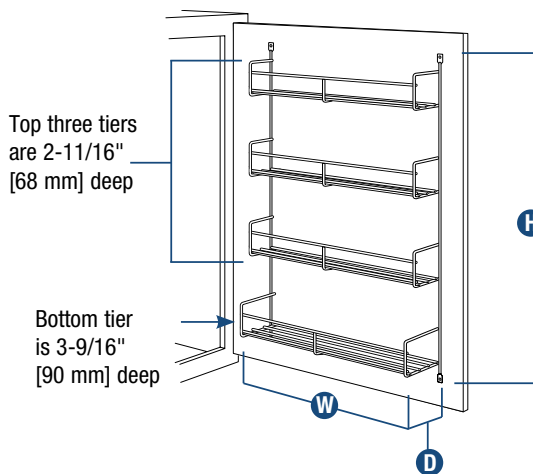
- KV Eco-Friendly Frosted Nickel finish or White
- Bottom tier is 3-9/16" deep to accommodate larger items



SR12-FN



SR15-W



Stock #	Assembled Product Dimensions			Finish [Wire/Platform]	Units per Carton	Weight per Carton
	Width W	Height H	Depth D			
SPICE RACKS						
SR12-FN	7-13/16" [198 mm]	20" [508 mm]	3-7/8" [98 mm]	Frosted Nickel*	6	12.4 lbs. [5.6 kg.]
SR12-1-FN	7-13/16" [198 mm]	20" [508 mm]	3-7/8" [98 mm]	Frosted Nickel*	1	2.5 lbs. [1.1 kg.]
SR15-FN	10-13/16" [275 mm]	20" [508 mm]	3-7/8" [98 mm]	Frosted Nickel*	5	13.2 lbs. [6.0 kg.]
SR15-1-FN	10-13/16" [275 mm]	20" [508 mm]	3-7/8" [98 mm]	Frosted Nickel*	1	2.5 lbs. [1.1 kg.]
SR18-FN	13-13/16" [351 mm]	20" [508 mm]	3-7/8" [98 mm]	Frosted Nickel*	5	14.7 lbs. [6.7 kg.]
SR18-1-FN	13-13/16" [351 mm]	20" [508 mm]	3-7/8" [98 mm]	Frosted Nickel*	1	3.2 lbs. [1.5 kg.]
SR12-W	7-13/16" [198 mm]	20" [508 mm]	3-7/8" [98 mm]	White	6	12.4 lbs. [5.6 kg.]
SR12-1-W	7-13/16" [198 mm]	20" [508 mm]	3-7/8" [98 mm]	White	1	2.5 lbs. [1.1 kg.]
SR15-W	10-13/16" [275 mm]	20" [508 mm]	3-7/8" [98 mm]	White	5	13.2 lbs. [6.0 kg.]
SR15-1-W	10-13/16" [275 mm]	20" [508 mm]	3-7/8" [98 mm]	White	1	2.5 lbs. [1.1 kg.]
SR18-W	13-13/16" [351 mm]	20" [508 mm]	3-7/8" [98 mm]	White	5	14.7 lbs. [6.7 kg.]
SR18-1-W	13-13/16" [351 mm]	20" [508 mm]	3-7/8" [98 mm]	White	1	3.2 lbs. [1.4 kg.]

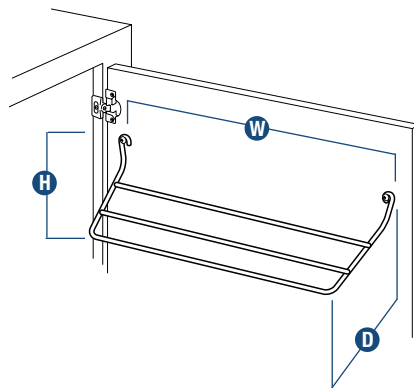
* Eco-Friendly. See page 4 for more information.

See page 71 for recommended cabinet dimensions and clearances.



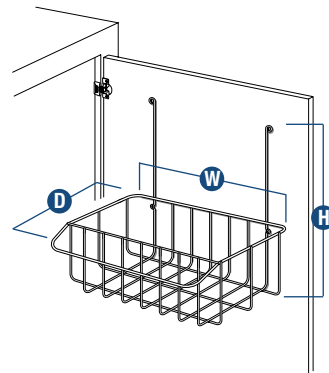
Door-Mount Towel Bar

- KV Eco-Friendly Frosted Nickel finish or White
- Three-tiered Door-Mount Towel Bar installs easily with two screws and offers a simple solution to storing and accessing dish towels



Utility Rack

- Wire basket with attached towel rack is ideal for storing cleaning supplies in sink base cabinets



See page 71 for recommended cabinet dimensions and clearances.

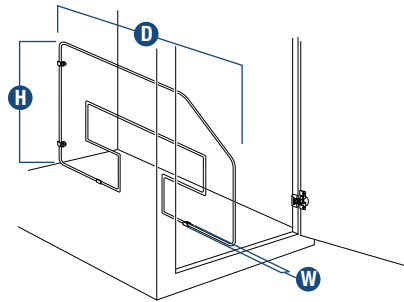
Stock #	Assembled Product Dimensions			Finish	Units per Carton	Weight per Carton
	Width W	Height H	Depth D			
DOOR-MOUNT TOWEL BAR						
TB-1-W	12-7/16" [316 mm]	5-1/2" [140 mm]	3-3/8" [86 mm]	White	1	0.2 lbs. [0.1 kg.]
TB-W	12-7/16" [316 mm]	5-1/2" [140 mm]	3-3/8" [86 mm]	White	10	2.9 lbs. [1.3 kg.]
TB-FN	12-7/16" [316 mm]	5-1/2" [140 mm]	3-3/8" [86 mm]	Frosted Nickel*	10	2.9 lbs. [1.3 kg.]
UTILITY RACK						
UT9-W	9-9/16" [243 mm]	9" [229 mm]	5-15/16" [151 mm]	White	10	9.3 lbs. [4.2 kg.]

* Eco-Friendly. See page 4 for more information.



Tray Divider

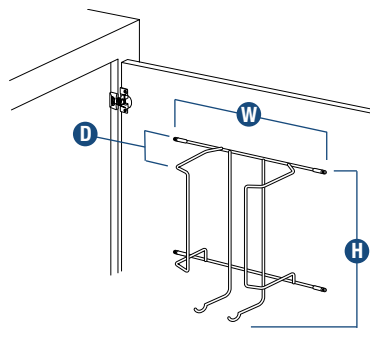
- KV Eco-Friendly Frosted Nickel finish or White
- Available in 12" and 18" heights
- Installs easily with four attachment clips



IH-FN

Iron Holder

- KV Eco-Friendly Frosted Nickel finish or White
- Can be installed on cabinet door above or below ironing board so iron will be readily available
- Conveniently stores iron when not in use



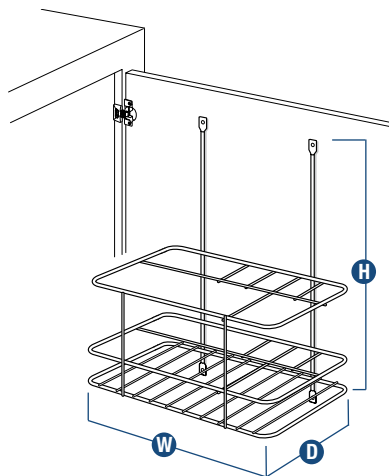
Stock #	Assembled Product Dimensions			Finish [Wire/Bin]	Units per Carton	Weight per Carton
	Width W	Height H	Depth D			
TRAY DIVIDER						
TD12-1-FN	15/16" [24 mm]	12" [205 mm]	19-1/2" [495 mm]	Frosted Nickel*	1	2 lbs. [0.9 kg.]
TD12-FN	15/16" [24 mm]	12" [205 mm]	19-1/2" [495 mm]	Frosted Nickel*	10	14.1 lbs. [6.4 kg.]
TD18-1-FN	15/16" [24 mm]	18" [457 mm]	19-1/2" [495 mm]	Frosted Nickel*	1	2.2 lbs. [1.0 kg.]
TD18-FN	15/16" [24 mm]	18" [457 mm]	19-1/2" [495 mm]	Frosted Nickel*	10	17.2 lbs. [7.8 kg.]
TD12-1-W	15/16" [24 mm]	12" [205 mm]	19-1/2" [495 mm]	White	1	2.0 lbs. [0.9 kg.]
TD12-W	15/16" [24 mm]	12" [205 mm]	19-1/2" [495 mm]	White	10	14.1 lbs. [6.4 kg.]
TD18-1-W	15/16" [24 mm]	18" [457 mm]	19-1/2" [495 mm]	White	1	2.2 lbs. [1.0 kg.]
TD18-W	15/16" [24 mm]	18" [457 mm]	19-1/2" [495 mm]	White	10	17.2 lbs. [7.8 kg.]
IRON HOLDER						
IH-FN	8-1/8" [206 mm]	8-5/16" [211 mm]	5-1/8" [130 mm]	Frosted Nickel*	1	0.9 lbs. [0.4 kg.]

* Eco-Friendly. See page 4 for more information.



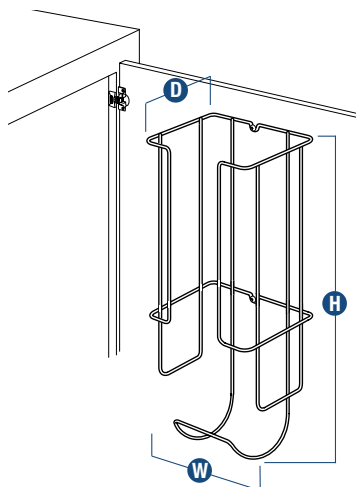
Grooming Rack

- KV Eco-Friendly Frosted Nickel finish
- Door-mounted rack provides storage for one hand-held hair dryer, two cans of hair spray and two curling irons



Toilet Paper Holder

- Holds 4 rolls and mounts to doors or walls
- Installs easily with two screws



See page 71 for recommended cabinet dimensions and clearances.

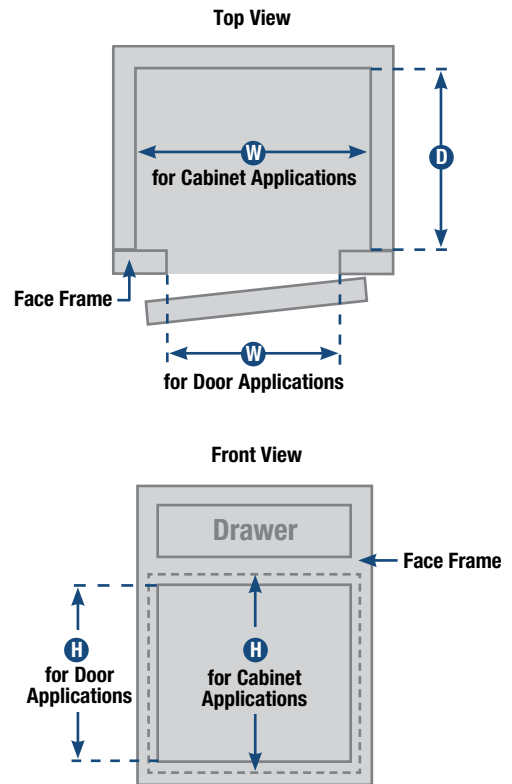
Stock #	Assembled Product Dimensions			Finish	Units per Carton	Weight per Carton
	Width W	Height H	Depth D			
GROOMING RACK						
GR12-FN	9-3/16" [233 mm]	16-1/2" [419 mm]	5-1/4" [133 mm]	Frosted Nickel*	1	2.3 lbs. [1.0 kg.]
TOILET PAPER HOLDERS						
TPH-531-W	5-3/8" [137 mm]	16" [406 mm]	5-1/2" [140 mm]	White	1	1.3 lbs. [0.6 kg.]

* Eco-Friendly. See page 4 for more information.

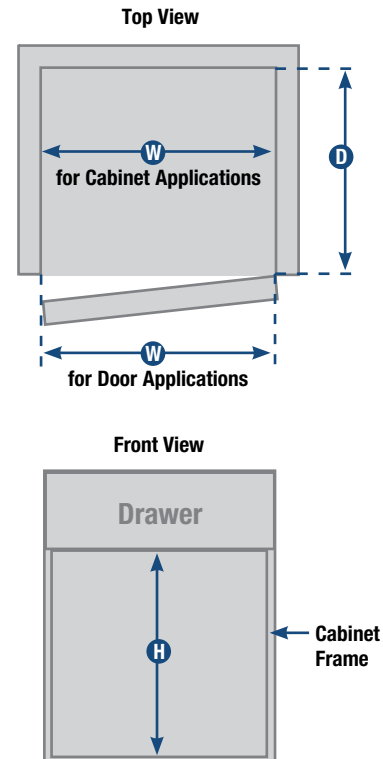
Cabinet Dimensions

Stock #	Minimum Interior Cabinet OR Door Opening Dimensions		
	Width W	Height H	Depth D
WINE RACKS			
WR23.62-FN	23-7/8" [606 mm]	5-1/16" [129 mm]	–
WR29.62-FN	29-7/8" [759 mm]	5-1/16" [129 mm]	–
WR35.62-FN	35-7/8" [911 mm]	5-1/16" [129 mm]	–
WR41.62-FN	41-7/8" [1,064 mm]	5-1/16" [129 mm]	–
STEMWARE HOLDERS			
ST11.50-B	4-1/2" [114 mm]	2-1/2" [64 mm]	11-13/16" [300 mm]
ST11.50-FN	4-1/2" [114 mm]	2-1/2" [64 mm]	11-13/16" [300 mm]
SPICE RACKS			
SR12-FN	9-5/8" [244 mm]	20-1/2" [521 mm]	4-1/8" [105 mm]
SR12-1-FN	9-5/8" [244 mm]	20-1/2" [521 mm]	4-1/8" [105 mm]
SR15-FN	12-3/8" [314 mm]	20-1/2" [521 mm]	4-1/8" [105 mm]
SR15-1-FN	12-3/8" [314 mm]	20-1/2" [521 mm]	4-1/8" [105 mm]
SR18-FN	15" [381 mm]	20-1/2" [521 mm]	4-1/8" [105 mm]
SR18-1-FN	15" [381 mm]	20-1/2" [521 mm]	4-1/8" [105 mm]
SR12-W	9-5/8" [244 mm]	20-1/2" [521 mm]	4-1/8" [105 mm]
SR12-1-W	9-5/8" [244 mm]	20-1/2" [521 mm]	4-1/8" [105 mm]
SR15-W	12-3/8" [314 mm]	20-1/2" [521 mm]	4-1/8" [105 mm]
SR15-1-W	12-3/8" [314 mm]	20-1/2" [521 mm]	4-1/8" [105 mm]
SR18-W	15" [381 mm]	20-1/2" [521 mm]	4-1/8" [105 mm]
SR18-1-W	15" [381 mm]	20-1/2" [521 mm]	4-1/8" [105 mm]
DOOR-MOUNT TOWEL BARS			
TB-1-W	12-15/16" [329 mm]	6" [152 mm]	3-5/8" [92 mm]
TB-FN	12-15/16" [329 mm]	6" [152 mm]	3-5/8" [92 mm]
TB-W	12-15/16" [329 mm]	6" [152 mm]	3-5/8" [92 mm]
UTILITY RACK			
UT9-W	11-3/4" [298 mm]	9-1/2" [241 mm]	6-3/16" [157 mm]
TRAY DIVIDERS			
TD12-1-FN	–	12-3/8" [314 mm]	20-1/8" [511 mm]
TD12-FN	–	12-3/8" [314mm]	20-1/8" [511 mm]
TD18-1-FN	–	18-3/8" [467mm]	20-1/8" [511 mm]
TD18-FN	–	18-3/8" [467mm]	20-1/8" [511 mm]
TD12-1-W	–	12-3/8" [314mm]	20-1/8" [511 mm]
TD12-W	–	12-3/8" [314mm]	20-1/8" [511 mm]
TD18-1-W	–	18-3/8" [467mm]	20-1/8" [511 mm]
TD18-W	–	18-3/8" [467mm]	20-1/8" [511 mm]
IRON HOLDER			
IH-FN	8-5/8" [219 mm]	length of iron + 1-1/2" [38 mm]	height of iron + 1" [25 mm]
GROOMING RACK			
GR12-FN	11-1/4" [286 mm]	17" [432 mm]	5-1/2" [140 mm]
TOILET PAPER HOLDER			
TPH-531-W	7-7/16" [189 mm]	16-1/2" [419 mm]	5-3/4" [146 mm]

Example of Face Frame Cabinet and Door Application



Example of Frameless / Euro-Style Cabinet and Door Application



Dimensions shown are recommended minimum cabinet and door dimensions.

Closet Accessories

Heavy-Duty Round Tubing	74
Oval Tubing	76
Flanges & End Caps	77
Closet Rods	78
Closet Planning	80





Heavy-Duty Round Tubing

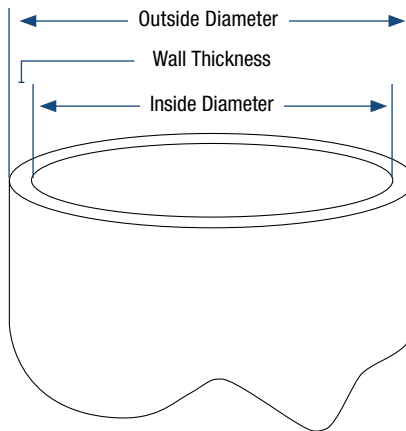
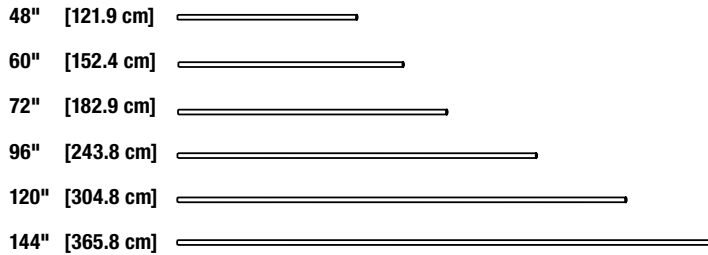
660 Series



660 Series
(Stainless Steel finish)

- Steel core with finished wrap
- Sleek stainless steel finish
- Commercial grade

LENGTHS AVAILABLE



See page 79-80 for recommended Closet Planning Information.

Stock #	Length	Outside Diameter	Inside Diameter	Wall Thickness	Finish	Units per Carton	Weight per Carton
660 SERIES							
660 SS 48	48" [121.9 cm]	1-1/16" [27 mm]	31/32" [24.8 mm]	0.088" [2.2 mm]	Stainless Steel	6	22 lbs. [10 kg.]
660 SS 60	60" [152.4 cm]	1-1/16" [27 mm]	31/32" [24.8 mm]	0.088" [2.2 mm]	Stainless Steel	6	27.5 lbs. [12.5 kg.]
660 SS 72	72" [182.9 cm]	1-1/16" [27 mm]	31/32" [24.8 mm]	0.088" [2.2 mm]	Stainless Steel	6	33.3 lbs. [15.1 kg.]
660 SS 96	96" [243.8 cm]	1-1/16" [27 mm]	31/32" [24.8 mm]	0.088" [2.2 mm]	Stainless Steel	6	44 lbs. [20 kg.]
660 SS 120	120" [304.8 cm]	1-1/16" [27 mm]	31/32" [24.8 mm]	0.088" [2.2 mm]	Stainless Steel	6	55.1 lbs. [24.5 kg.]
660 SS 144	144" [365.8 cm]	1-1/16" [27 mm]	31/32" [24.8 mm]	0.088" [2.2 mm]	Stainless Steel	6	63.4 lbs. [28.8 kg.]

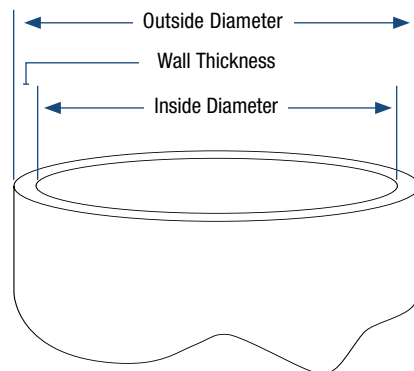
Heavy-Duty Round Tubing 770 & 750 Series



750 5 Series



770 1 Series



- Steel construction
- Double plated finish
- Commercial grade
- Invisible welded seam

Stock #	Length	Outside Diameter	Inside Diameter	Wall Thickness	Finish	Units per Carton	Weight per Carton
770 1 SERIES							
770 1 48	48" [121.9 cm]	1-1/16" [27 mm]	61/64" [24.2 mm]	0.106" [2.7 mm]	Chrome	6	27.8 lbs. [12.6 kg.]
770 1 60	60" [152.4 cm]	1-1/16" [27 mm]	61/64" [24.2 mm]	0.106" [2.7 mm]	Chrome	6	35 lbs. [15.9 kg.]
770 1 72	72" [182.9 cm]	1-1/16" [27 mm]	61/64" [24.2 mm]	0.106" [2.7 mm]	Chrome	6	41.5 lbs. [18.8 kg.]
770 1 96	96" [243.8 cm]	1-1/16" [27 mm]	61/64" [24.2 mm]	0.106" [2.7 mm]	Chrome	6	55.2 lbs. [25 kg.]
770 1 120	120" [304.8 cm]	1-1/16" [27 mm]	61/64" [24.2 mm]	0.106" [2.7 mm]	Chrome	6	69.4 lbs. [31.5 kg.]
770 1 144	144" [365.8 cm]	1-1/16" [27 mm]	61/64" [24.2 mm]	0.106" [2.7 mm]	Chrome	6	81.5 lbs. [37 kg.]
770 5 SERIES							
770 5 72	72" [182.9 cm]	1-5/16" [33 mm]	1-13/64" [30.6 mm]	0.106" [2.7 mm]	Chrome	6	53.4 lbs. [24.4 kg.]
770 5 96	96" [243.8 cm]	1-5/16" [33 mm]	1-13/64" [30.6 mm]	0.106" [2.7 mm]	Chrome	6	70.8 lbs. [32.1 kg.]
770 5 120	120" [304.8 cm]	1-5/16" [33 mm]	1-13/64" [30.6 mm]	0.106" [2.7 mm]	Chrome	6	87.8 lbs. [39.8 kg.]
770 5 144	144" [365.8 cm]	1-5/16" [33 mm]	1-13/64" [30.6 mm]	0.106" [2.7 mm]	Chrome	6	104.9 lbs. [47.6 kg.]
750 1 SERIES							
750 1 72	72" [182.9 cm]	1-1/16" [27 mm]	63/64" [25.1 mm]	0.075" [1.9 mm]	Chrome	6	30.6 lbs. [13.9 kg.]
750 1 96	96" [243.8 cm]	1-1/16" [27 mm]	63/64" [25.1 mm]	0.075" [1.9 mm]	Chrome	6	41.1 lbs. [18.6 kg.]
750 1 120	120" [304.8 cm]	1-1/16" [27 mm]	63/64" [25.1 mm]	0.075" [1.9 mm]	Chrome	6	50.6 lbs. [23 kg.]
750 1 144	144" [365.8 cm]	1-1/16" [27 mm]	63/64" [25.1 mm]	0.075" [1.9 mm]	Chrome	6	60.8 lbs. [27.6 kg.]
750 5 SERIES							
750 5 72	72" [182.9 cm]	1-5/16" [33 mm]	1-15/64" [31.4 mm]	0.075" [1.9 mm]	Chrome	6	38.1 lbs. [17.3 kg.]
750 5 96	96" [243.8 cm]	1-5/16" [33 mm]	1-15/64" [31.4 mm]	0.075" [1.9 mm]	Chrome	6	51.3 lbs. [23.3 kg.]
750 5 120	120" [304.8 cm]	1-5/16" [33 mm]	1-15/64" [31.4 mm]	0.075" [1.9 mm]	Chrome	6	62.9 lbs. [28.5 kg.]
750 5 144	144" [365.8 cm]	1-5/16" [33 mm]	1-15/64" [31.4 mm]	0.075" [1.9 mm]	Chrome	6	77.2 lbs. [35 kg.]

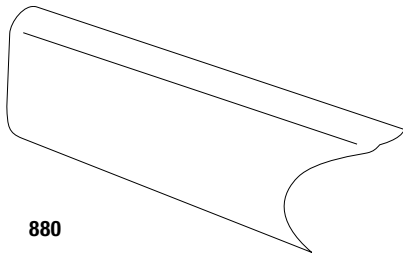
See page 79–80 for recommended Closet Planning Information.



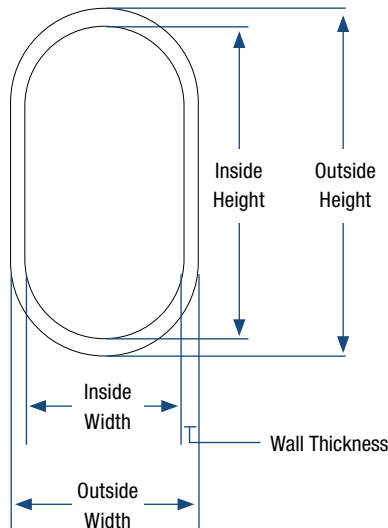
880 Series
(Chrome finish)

Oval Tubing

- Steel construction
- Invisible welded seam
- Chrome plated finish



880



See page 79-80 for recommended Closet Planning Information.

Stock #	Length	OUTSIDE		INSIDE			Finish	Units per Carton	Weight per Carton
		Height	Width	Height	Width	Wall Thickness			
HEAVY-DUTY OVAL TUBING									
880 CHR 96	96" [243.8 cm]	[30 mm]	[15 mm]	[28.8 mm]	[13.8 mm]	[1.2 mm]	Chrome	10	34 lbs. [15.6 kg.]
880 CHR 144	144" [365.8 cm]	[30 mm]	[15 mm]	[28.8 mm]	[13.8 mm]	[1.2 mm]	Chrome	10	52.9 lbs. [24 kg.]

Flanges & End Caps



730, 731, 732 ANO



734 CHR



735 CHR



881 CHR



764



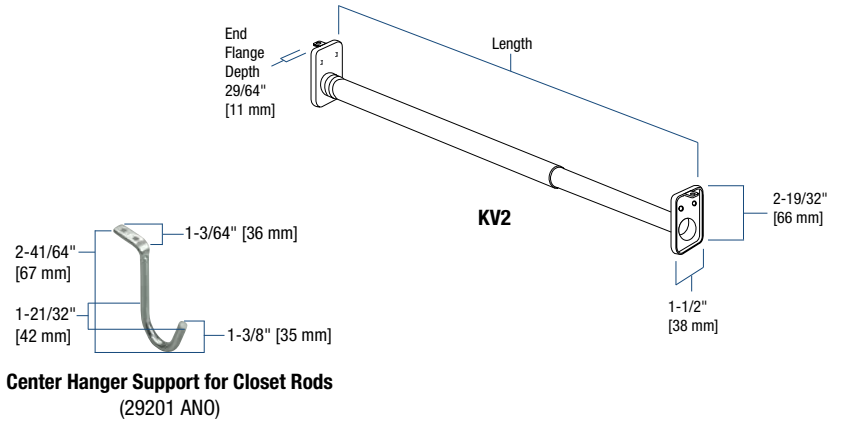
766

Stock #	Description	Holes	Finish	Units per Carton	Weight per Carton
FLANGES					
734 CHR	Fits 1-1/16" OD round tubing (660, 750 1 & 770 1 series)	2 screw holes on 2" vertical centers	Chrome	50 (w/screws)	5.1 lbs. [2.3 kg.]
734 BR	Fits 1-1/16" OD round tubing (660, 750 1 & 770 1 series)	2 screw holes on 2" vertical centers	Brass	50 (w/screws)	6.1 lbs. [2.8 kg.]
735 CHR	Fits 1-1/16" OD round tubing (660, 750 1 & 770 1 series)	2 screw holes on 2" horizontal centers	Chrome	50 (w/screws)	5.1 lbs. [2.3 kg.]
735 BR	Fits 1-1/16" OD round tubing (660, 750 1 & 770 1 series)	2 screw holes on 2" horizontal centers	Brass	50 (w/screws)	6.1 lbs. [2.8 kg.]
764 CHR	Fits 1-5/16" OD round tubing (750 5 & 770 5 series)	3 holes spaced 1-1/8" from center	Chrome	12 (w/screws)	2.3 lbs. [1 kg.]
766 CHR	Fits 1-5/16" OD round tubing (750 5 & 770 5 series)	3 holes spaced 1-1/8" from center	Chrome	12 (w/screws)	2.5 lbs. [1.1 kg.]
881 CHR	For use with 880 oval tubing	1 hole for extra mounting strength & 2 - 5mm pins	Chrome	50	2 lbs. [0.9 kg.]
END CAPS					
730 ANO	Fits KV 660 round tubing (1-1/16" OD)	–	Anochrome	50	0.5 lbs. [0.2 kg.]
731 ANO	Fits 1-1/16" OD round tubing (660, 750 1 & 770 1 series)	–	Anochrome	50	0.4 lbs. [0.2 kg.]
732 ANO	Fits 1-5/16" OD round tubing (750 5 & 770 5 series)	–	Anochrome	50	0.7 lbs. [0.3 kg.]

See page 79–80 for recommended Closet Planning Information.

Closet Rods

- Steel construction
- End flanges fixed to rods
- Two piece construction allows for adjustability to varying closet widths



Stock #	Length	Finish	Units per Carton	Weight per Carton
ADJUSTABLE CLOSET RODS				
KV2BP ZC 18	18" – 30" [45.7 – 76.2 cm]	Zinc	20	15.1 lbs. [6.8 kg.]
KV2BP ZC 30	30" – 48" [76.2 – 121.9 cm]	Zinc	20	27.5 lbs. [12.5 kg.]
KV2 ZC 18	18" – 30" [45.7 – 76.2 cm]	Zinc	10	8.5 lbs. [3.9 kg.]
KV2 ZC 30	30" – 48" [76.2 – 121.9 cm]	Zinc	10	13.3 lbs. [6 kg.]
KV2 ZC 48	48" – 72" [121.9 – 182.9 cm]	Zinc	10	21 lbs. [9.5 kg.]
KV2 ZC 60	60" – 96" [152.4 – 243.8 cm]	Zinc	10	24.8 lbs. [11.2 kg.]
KV2 ZC 72	72" – 120" [182.9 – 304.8 cm]	Zinc	5	15.3 lbs. [6.9 kg.]
KV2 ZC 96	96" – 144" [243.8 – 365.8 cm]	Zinc	5	19.9 lbs. [9 kg.]
KV2 WH 18	18" – 30" [45.7 – 76.2 cm]	White	10	8.8 lbs. [4 kg.]
KV2 WH 30	30" – 48" [76.2 – 121.9 cm]	White	10	13.6 lbs. [6.2 kg.]
KV2 WH 48	48" – 72" [121.9 – 182.9 cm]	White	10	18.9 lbs. [8.6 kg.]
KV2 WH 60	60" – 96" [152.4 – 243.8 cm]	White	10	25.3 lbs. [11.5 kg.]
KV2 WH 72	72" – 120" [182.9 – 304.8 cm]	White	5	15.3 lbs. [6.9 kg.]
HEAVY-DUTY ADJUSTABLE CLOSET RODS				
RP0020-30/48BN	30" – 48" [76.2 – 121.9 cm]	Brushed Nickel	6	16.5 lbs. [7.5 kg.]
RP0020-48/72BN	48" – 72" [121.9 – 182.9 cm]	Brushed Nickel	6	23.2 lbs. [10.6 kg.]
RP0020-72/120BN	72" – 120" [182.9 – 304.8 cm]	Brushed Nickel	6	38.3 lbs. [17.4 kg.]
RP0020-30/48BRZ	30" – 48" [76.2 – 121.9 cm]	Bronze	6	16.5 lbs. [7.5 kg.]
RP0020-48/72BRZ	48" – 72" [121.9 – 182.9 cm]	Bronze	6	23.2 lbs. [10.6 kg.]
RP0020-72/120BRZ	72" – 120" [182.9 – 304.8 cm]	Bronze	6	38.3 lbs. [17.4 kg.]
RP0020-30/48CH	30" – 48" [76.2 – 121.9 cm]	Chrome	6	16.5 lbs. [7.5 kg.]
RP0020-48/72CH	48" – 72" [121.9 – 182.9 cm]	Chrome	6	23.2 lbs. [10.6 kg.]
RP0020-72/120CH	72" – 120" [182.9 – 304.8 cm]	Chrome	6	38.3 lbs. [17.4 kg.]
RP0020-30/48WT	30" – 48" [76.2 – 121.9 cm]	Warm White	6	16.5 lbs. [7.5 kg.]
RP0020-48/72WT	48" – 72" [121.9 – 182.9 cm]	Warm White	6	23.2 lbs. [10.6 kg.]
RP0020-72/120WT	72" – 120" [182.9 – 304.8 cm]	Warm White	6	38.3 lbs. [17.4 kg.]
CENTER HANGER SUPPORT				
29201 ANO	Center Hanger Support for fully extended 72" [182.9 cm] and 96" [243.8 cm] rods	Anochrome	12	1.14 lbs. [0.5 kg.]

See page 79–80 for recommended Closet Planning Information.

Closet Planning

All closets are essentially custom projects, because individual storage needs differ. However, there are some elements that all closets have in common.

There are two basic types of closets: walk-in and reach-in. Walk-in closets typically are found in the master bedroom suite. They vary in size and shape depending on the home layout. Typical shapes of walk-ins include square, rectangle, square notch and L-shaped. Reach-in closets are typically found in children/guest bedrooms, or along hallways, and are rectangle-shaped.

Walk-In Closet

There are no standard dimensions for the walk-in closet, but there are general guidelines that are essential in planning a closet in this format. You will need a minimum of 2 feet of space for the closet door. Pocket doors are recommended to give the most unrestricted access to clothing. When planning overall dimensions, the minimal path through the closet should be approximately 30 inches. The overall width should be a minimum 6 feet, 6 inches to allow for hanging space on both walls.

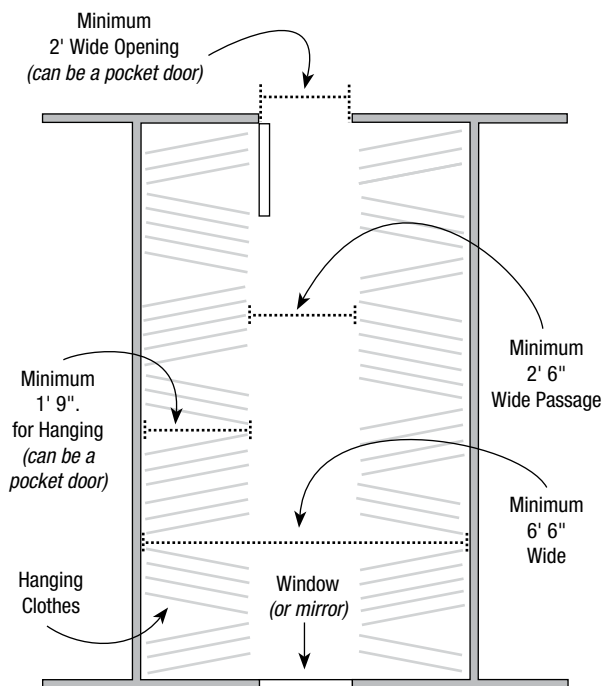
It is helpful to think of the walk-in as a combination of reach-in closets. Measure each wall separately. Plan storage one wall at a time using corner shelving or hang rods to make the most of the space. If the closet is shared, plan one wall for each person with the back wall shared or used by the person who needs more space.

Reach-In Closet

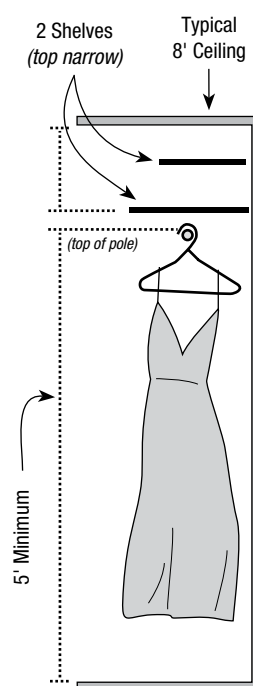
Reach-in closets are typically long rectangles measuring 48 inches long and larger. A typical reach-in closet is approximately 6 feet long, 8 feet high, 24 inches deep with an 80 inch high door opening. Reach-in closets are very practical for a single occupant. They allow for easy viewing and access of all contents. Accessories and baskets work well in them.

For a reach-in closet with bi-fold doors, it's best to place a basket section in the center of the closet for maximum accessibility. For a closet with sliding doors, put the baskets on either end of the closet.

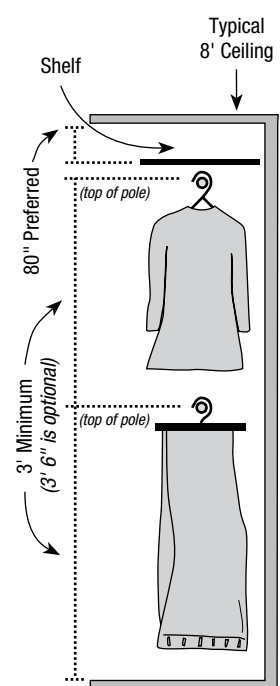
Walk-In Closet Dimensions



Single Pole



Double Pole



Closet Planning

Space Planning

Take inventory of what you will store in the closet area. The amount and types of clothing are essential information for proper planning. Below are general dimensions required by different types of clothing. Keep in mind that storage needs can change and flexibility is essential in designing a closet.

Women's

<i>Dress</i>	68" long
<i>Robe</i>	52" long
<i>Jacket</i>	36" long
<i>Blouse (on hanger)</i>	34" long
<i>Blouse (folded)</i>	10" wide, 13" long
<i>Skirt</i>	36" long
<i>Shoes</i>	6" wide, 9-1/2" long
<i>Sweater (folded)</i>	10" wide, 14" long

Men's

<i>Suit Coats</i>	12" wide, 38" long
<i>Shirts (six on hangers)</i>	12" wide, 38" long
<i>Shirt (folded)</i>	8" wide, 14" long
<i>Pants (straight on hanger)</i>	44" long
<i>Pants (folded on hanger)</i>	27" long
<i>Dress Hat</i>	6" x 11"
<i>Shoes</i>	9" wide, 12" long
<i>Boots</i>	9" wide, 12" long

Hanging Items

Short hanging items, such as skirts, blouses and folded pants, require rods attached 30 to 40 inches from the floor. A typical closet can include two levels of hanging rods. As a rule, place the top rod 80 to 82 inches up from the floor, the bottom rod about 40 inches up.

For a single rod application, plan 60 inches from the floor for placement. You will need at least 1 foot, 9 inches (24 inches is standard) away from the back wall for hanging. When spanning an opening of more than 48 inches, consider adding a center support to the closet rod for added stability. The same general rules apply to kids' closets. For young children who don't have a lot of hanging items, plan on one rod at 36 to 40 inches off the floor. This allows youngsters to reach their clothes.

Helpful Hints

- Maximize space. Few people own many items that require a 64 inch high rod. Dedicate a smaller space between 1 foot and 2 feet for these items. All other clothing can be hung in a double-rod application, thereby allowing more in a smaller space.
- Design for visibility. Plan the closet so socks, ties and underwear can be viewed when dressing.
- Beware of cedar. Cedar closets do keep moths away, but the cedar scent can permeate adjacent spaces. Plan for a cedar closet in the basement or with an extra door.
- Think about lighting. You need to be able to see clothes to make decisions when getting dressed. Overhead natural light is preferred but if it is not available, good fluorescent lighting is often the only code-compliant solution.
- Use the vertical dimension. Take advantage of all available space, up to the ceiling and down to the floor. Bins on high shelves, roll-out boxes that sit on the floor, even a third pull-down closet rod if your ceiling is over 9 feet, are ideal for storing items that aren't frequently used.

Index

Product	Page	Product	Page	Product	Page	Product	Page	Product	Page
660 SS 120	74	BP5-FN	55	FR28STM-FN	25	MH1215-W	60	PHM28PP-W	24
660 SS 144	74	BP5-W	55	FR28STM-W	25	MU11-W	58	PHM34GG-W	24
660 SS 48	74	BP6-FN	55	GR12-FN	70	MU14-W	58	PHM34PG-W	24
660 SS 60	74	BP6-W	55	GUSB11-FN	58	P793ANO	61	PHM40GG-W	24
660 SS 72	74	BP7-FN	55	GUSB14-FN	58	P1875CM-FN	51	PHM40PG-W	24
660 SS 96	74	BP7-W	55	H1215-W	60	P1875CM-W	54	PKN18ST-W	22
730 ANO	77	BP8CM-FNW	51	H1218-W	60	P2500CM-FN	51	PKN24ST-W	22
731 ANO	77	BP8CM-W	54	H1515-W	60	P2500CM-W	54	PKN24SBT-W	22
732 ANO	77	BP8-FN	55	H1518-W	60	P4250CM-FN	51	PKN28ST-W	22
734 BR	77	BP8-W	55	HAL-20	59	P4250CM-W	54	PKN28SBT-W	22
734 CHR	77	BP9-FN	55	HAL-BSKT	59	P4650CM-FN	51	PKN32ST-W	22
735 BR	77	BP9-W	55	HM25-FN	26	P4650CM-W	54	PLC-BR-C-10	27
735 CHR	77	BP10-FN	55	HM25G-FN	26	P5450CM-FN	51	PLC-BROS-C-10	27
750 1 120	75	BP10-W	55	HM25-W	26	P5450CM-W	54	PPN24S-W	23
750 1 144	75	BP11CM-FNW	51	HM25G-W	26	P4250FE-FN	55	PPN28S-W	23
750 1 72	75	BP11CM-W	54	HM28-FN	26	P4250FE-W	55	PSF11-A	41
750 1 96	75	BP12-FN	55	HM28-W	26	P4650FE-FN	55	PSF11-W	41
750 5 120	75	BP12-W	55	HM28G-P	26	P4650FE-W	55	PSF11-PF-W	41
750 5 144	75	BP14CM-FNW	51	HM28G-FN	26	P5050FE-W	55	PSF11-PF-SH-2-W	42
750 5 72	75	BP14CM-W	54	HM28G-W	26	P5450FE-FN	55	PSF11RS-A	41
750 5 96	75	BP17CM-FNW	51	HM30-W	26	P5450FE-W	55	PSF11RS-W	41
764 CHR	77	BP17CM-W	54	HM34-FN	26	P6500FE-W	55	PSF11SH-2-W	42
766 CHR	77	BP20CM-FNW	51	HM34-W	26	PAN1700TM-FN	50	PSF11W-W	43
770 1 120	75	BP20CM-W	54	HM34G-FN	26	PC24STM-FN	25	PSF14-A	41
770 1 144	75	COS2075-W	37	HM34G-W	26	PC24STM-W	25	PSF14-W	41
770 1 48	75	DWB975-W	13	HN-F-TEL-PT	28	PC28STM-FN	25	PSF14-PF-A	41
770 1 60	75	ECW9-1-20WH	12	HN-K-TEL-PT	28	PC28STM-W	25	PSF14-PF-W	41
770 1 72	75	ECW10-1-35WH	12	HP-XSF-EC-20-W	43	PC32STM-FN	25	PSF14-PF-SH-2-W	42
770 1 96	75	ESF10-W	39	HUB-PIN	27	PC32STM-W	25	PSF14RS-A	41
770 5 120	75	ESF10W-W	40	HWR WS 10 0425	28	PDMKTPT	12	PSF14RS-W	41
770 5 144	75	ESF11W-W	40	HWR WS BLK 10	28	PDMKTWH	12	PSF14SH-2-W	42
770 5 72	75	ESF13-W	39	HWR-WFS-1-PC	28	PDMTM115-1-35WH	10	PSF14W-A	43
770 5 96	75	ESF13W-W	40	HWR-WKS-1-PC	28	PDMTM12-1-35WH	10	PSF14W-W	43
880 CHR 144	76	ESF14-W	39	HWR-WS-1-DWL	28	PDMTM145-1-50WH	10	PSF2425-A	41
880 CHR 96	76	ESF14W-W	40	IH-FN	69	PDMTM15-2-35WH	10	PSF2425-W	41
881 CHR	77	ESF16-W	39	KV2 WH 18	78	PDMTM175-2-35WH	10	PSF3025-A	41
1475-W	36	ESF16W-W	40	KV2 WH 30	78	PDMTM18-2-35WH	10	PSF3025-W	41
1775-W	36	ESF19-W	39	KV2 WH 48	78	PDMTM21-2-35WH	10	PSF8.62-W	41
2075-W	36	ESF19W-W	40	KV2 WH 60	78	PDN22ST-W	23	PSF8.62SH-2-W	42
29201 ANO	78	ESF22-W	39	KV2 WH 72	78	PDN22S5T-W	23	QT20LB-PT	14
BBCS-L-15-FN	52	ESF22W-W	40	KV2 ZC 18	78	PFN18ST-W	21	QT20LB-WH	14
BBCS-R-15-FN	52	ESF25-W	39	KV2 ZC 30	78	PFN18S3T-W	21	QT20PB-PT	14
BBCT-L-15-FN	52	ESF25W-W	40	KV2 ZC 48	78	PFN20ST-W	21	QT20PB-WH	14
BBCT-R-15-FN	52	ESF28-W	39	KV2 ZC 60	78	PFN20S3T-W	21	QT27PB-PT	14
BCO20E-W	56	ESF28W-W	40	KV2 ZC 72	78	PFN24ST-W	21	QT27PB-W	14
BCO2456-W	56	ESF31-W	39	KV2 ZC 96	78	PFN28ST-W	21	QT32PB-W	14
BP4-FN	55	ESF31W-W	40	KV2BP ZC 18	78	PFN28SBT-W	21	QT35LB-PT	14
BP4-W	55	ET-H-N	44	KV2BP ZC 30	78	PFN32ST-W	21	QT35LB-WH	14
BP5CM-FNW	51	FR24STM-FN	25	LS-UNIMNT-AA	27	PHM28GG-W	24	QT35PB-PT	14
BP5CM-W	54	FR24STM-W	25	LS-UNIMNT-DWL	27	PHM28PG-W	24	QT35PB-WH	14

Index

Product	Page	Product	Page	Product	Page	Product	Page
QT50PB-P	14	SF10	39	TD12-1-FN	69	UT1217-W	37
QT50PB-W	14	SF10W	40	TD18-FN	69	UT1517-W	37
RH7G-W	27	SF11	39	TD18-W	69	UT1817-W	37
RP0020-30/48BN	78	SF11W	40	TD18-1-FN	69	UT9-W	68
RP0020-30/48BRZ	78	SF13	39	TD18-1-W	69	WAL13.5-1	59
RP0020-30/48CH	78	SF13W	40	TDR06-W	57	WAL16.5-1	59
RP0020-30/48WH	78	SF14	39	TDR09-W	57	WR23.62-FN	66
RP0020-48/72BN	78	SF14W	40	TDR0-FNW-6	53	WR29.62-FN	66
RP0020-48/72BRZ	78	SF16	39	TDR0-FNW-9	53	WR35.62-FN	66
RP0020-48/72CH	78	SF16W	40	TM32-W	13	WR41.62-FN	66
RP0020-48/72WH	78	SF19	39	TO1710-W	60	WUSC12-1-35PT	6
RP0020-72/120BN	78	SF19W	40	TO1710-1-W	60	WUSC12-1-35WH	6
RP0020-72/120BRZ	78	SF22	39	TO1713-W	60	WUSC12-1-50PT	6
RP0020-72/120CH	78	SF22W	40	TO1713-1-W	60	WUSC12-1-50WH	6
RP0020-72/120WH	78	SF25	39	TO1716-W	60	WUSC12-2-27PT	6
RRC28K-W	13	SF25W	40	TO1716-1-W	60	WUSC12-2-27WH	6
RRC28PT-W	13	SF28	39	TPH-531-W	70	WUSC15-2-35PT	6
SBM9-1-20WH	11	SF28W	40	TSC12-1-35PT	8	WUSC15-2-35WH	6
SBM10-1-35WH	11	SF31	39	TSC12-1-35WH	8	WUSC18-2-50PT	6
SBM12-1-50WH	11	SF31W	40	TSC15-1-35PT	8	WUSC18-2-50WH	6
SBM12-2-27WH	11	SH-1-S/P	44	TSC15-1-35WH	8	XSF34-10-W	43
SBM15-1-20WH	11	SH-10	44	TSC15-1-50PT	8	XSF72-10-W	43
SBM15-1-35WH	11	SH-40	44	TSC15-1-50WH	8		
SBM15-2-20WH	11	SPICETRAY10	38	TSC15-2-35PT	8		
SBM15-2-35WH	11	SPICETRAY13	38	TSC15-2-35WH	8		
SBM15-3-20WH	11	SPICETRAY16	38	TSC18-2-35PT	8		
SBM24-4-27WH	11	SPICETRAY19	38	TSC18-2-35WH	8		
SCB9-1-20PT	9	SPS21-FN	53	TW1217-W	36		
SCB9-1-20WH	9	SPS27-FN	53	TW1217-1-W	36		
SCB10-1-35PT	9	SR12-FN	67	TW1517-W	36		
SCB10-1-35WH	9	SR12-W	67	TW1517-1-W	36		
SCB12-1-50PT	9	SR12-1-W	67	TW1817-W	36		
SCB12-1-50WH	9	SR12-1-FN	67	TW1817-1-W	36		
SCB12-2-27PT	9	SR15-FN	67	TW850-W	36		
SCB12-2-27WH	9	SR15-W	67	TW850-1-W	36		
SCB15-1-20PT	9	SR15-1-FN	67	USB11-W	58		
SCB15-1-20WH	9	SR15-1-W	67	USB11TM-W	58		
SCB15-2-20PT	9	SR18-FN	67	USB14-W	58		
SCB15-2-20WH	9	SR18-W	67	USB14TM-W	58		
SCB15-2-35PT	9	SR18-1-FN	67	USC12-1-35PT	7		
SCB15-2-35WH	9	SR18-1-W	67	USC12-1-35WH	7		
SCB15-3-20PT	9	ST11.50-B	66	USC12-1-50PT	7		
SCB15-3-20WH	9	ST11.50-FN	66	USC12-1-50WH	7		
SCB24-4-27PT	9	TB-FN	68	USC12-2-27PT	7		
SCB24-4-27WH	9	TB-W	68	USC12-2-27WH	7		
SDG1088-W	38	TB-1-W	68	USC15-2-35PT	7		
SDG1088-1-W	38	TD12-FN	69	USC15-2-35WH	7		
SDS-FR-28-FNW	20	TD12-W	69	USC18-2-50PT	7		
SDS-KD-28-FNW	20	TD12-1-W	69	USC18-2-50WH	7		

Knappe and Vogt Limited Warranty

Limited Lifetime Warranty for Commercial Business Products

15 Year Limited Warranty for Ergonomics Products

This warranty is given to the initial purchaser of new commercial and ergonomic products purchased from Knappe & Vogt Manufacturing Company and its subsidiaries. The warranty covers defects in materials and workmanship. The warranty does not apply to defects resulting from misuse, damage or abuse, normal wear and tear, accident, modification, improper installation or maintenance, third party materials or damage during shipping. The warranty is not transferable and does not cover any subsequent purchasers of the products.

Definitions of the specific warranty time periods by product can be obtained from Customer Service at 1.800.253.1561. The warranty time period begins on the date of purchase for all products. Applicable warranty time periods are based on one 8-hour shift per day usage, and warranty time periods are adjusted and shortened proportionally for any multiple shift or excess usage.

During the warranty period, Knappe & Vogt, will, at its option, repair or replace any defective product with a comparable product or component. This limited warranty is for repair or replacement of defective products only and does not cover any other costs such as removal, installation, or other related expenses.

For warranty service, please contact Knappe & Vogt Manufacturing Company, 2700 Oak Industrial Drive, Grand Rapids, MI 49505, Attention: Customer Service. Information regarding the claimed defect and date of purchase of the product must be provided. Any defective product must be returned postage or freight prepaid to Knappe & Vogt.

THIS LIMITED WARRANTY CONSTITUTES THE ONLY WARRANTY FOR THE PRODUCTS AND ALL OTHER WARRANTIES OR REPRESENTATIONS, EXPRESS OR IMPLIED, BY OPERATION OF LAW OR OTHERWISE, INCLUDING BUT NOT LIMITED TO ANY IMPLIED WARRANTY OF MERCHANTABILITY OR FITNESS FOR A PARTICULAR PURPOSE, ARE EXPRESSLY DISCLAIMED. (Some states do not allow limitations on how long an implied warranty lasts.)

THIS LIMITED WARRANTY CONSTITUTES THE SOLE REMEDY AVAILABLE WITH REGARD TO ANY DEFECTIVE PRODUCTS. KNAPE & VOGT SHALL NOT BE LIABLE FOR ANY INCIDENTAL, INDIRECT, CONSEQUENTIAL OR SPECIAL DAMAGES, INCLUDING WITHOUT LIMITATION, LOSS OF TIME, INCONVENIENCE, OR LOST REVENUES OR PROFITS. (Some states do not allow the exclusion or limitation of incidental or consequential damages.)

Copyright ©2017 Knappe & Vogt Manufacturing Company, all rights reserved.
Standard KV Commercial Warranty

Return Policy

Return Policy for special order or nonstock items:

We're sorry, we cannot accept returns on nonstock products or special order products unless there is a Knap & Vogt error — which we will be happy to correct. To return product(s), please follow these procedures:

Please contact Knap & Vogt Customer Service at 1.800.253.1561. A Customer Service Representative will assist you with getting a Return Goods Authorization (RGA) number. The original P.O. is required to receive a RGA number. Please return product within 30 days of issuance of the RGA number.

Restocking Fees:

- All resalable product returned in original resalable packaging will be assessed a 25% fee for restocking and handling.
- Minimum fee is \$25.
- All resalable products not returned in resalable original packaging will be assessed a 25% fee for repackaging in addition to the 25% restocking and handling fee.
- Above referenced fees will be waived on returns resulting from a Knap & Vogt error.

Shipping:

You are responsible for all return shipping charges to return the product unless we made an error in shipping your order, i.e., the product we shipped is not the one you ordered, or is defective.

In the US, please ship to: Knap & Vogt

Return Goods Department, 3800 Eastern Ave SE, Wyoming, MI 494509

In Canada, please ship to:

Knap & Vogt/ Vanguard, Attn: Return Goods Department, 265 Export Blvd, Mississauga, ON L5S 1Y4

- Ensure the product(s) are properly packaged to prevent shipping damage.
- Include RGA number with return.
- Ensure all products returned match quantities and products listed on the assigned RGA.

Credit:

- A credit memo will be issued upon inspection and approval of the returned product.
- Upon receipt and inspection Knap & Vogt will determine credit amount and notify you of any discrepancies.
- DO NOT make any financial adjustments to your account prior to Knap & Vogt issuing a credit memo for returned goods.
- Please allow a minimum of 14 days for us to receive and process your return.
- We will credit or refund the value of the product total and any taxes you were charged less applicable fees. (excluding delivery charges).
- Refunds will be given in the same form of payment. Adjustments to credit cards should appear within two billing cycles.

Replacement Orders:

- Any replacement orders will be charged to your account.
- A credit memo will be issued for returned products that have been approved.

RGA Status Information:

- Visit www.customercareconnection.com.
- Enter your account information.
- If you do not already have your account set up for this free service, please register at www.customercareconnection.com.
- Your satisfaction is our priority. We are happy to accept returns or exchanges for any resalable or defective products within 60 days of the shipping date.



KNAPPE & VOGT®

2700 Oak Industrial Dr. NE
Grand Rapids, MI 49505-6026 USA
Tel: 1.800.253.1561 | 616.459.3311
Fax: 877.636.3290
www.kv.com

This and other KV literature is available for download at www.kv.com > Resource Library

Knappe & Vogt reserves the right to change product specifications at any time without notice and without incurring responsibility for existing units.

©2018 Knappe & Vogt. KV and the KV logo are trademarks of Knappe & Vogt.

RL2018/0718